

# Soldering Pots and Vessels Quick Start Guide

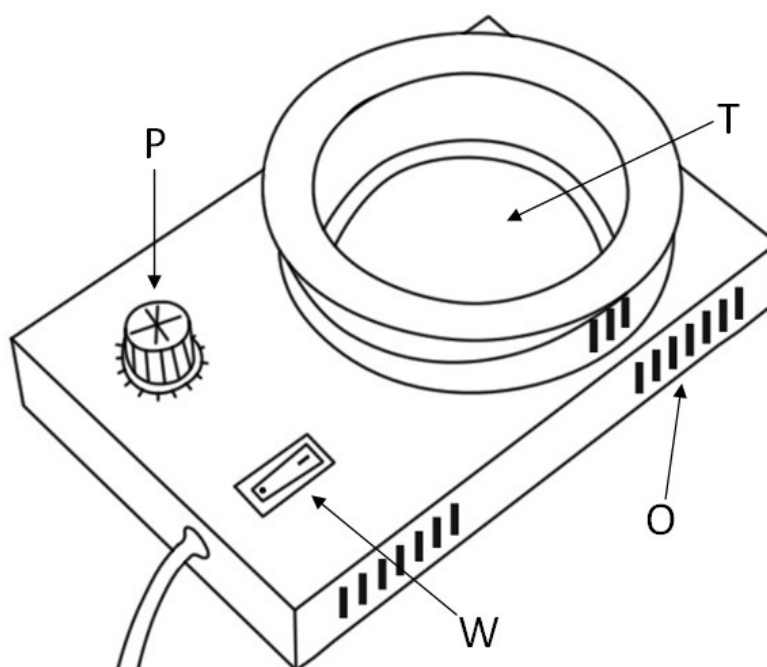
## 1. Introduction

Dear Customer! Thank you for your purchase in TME! To protect the environment we have prepared for you this quick start guide. Before operating the unit, please read it carefully. Please visit [www.tme.eu](http://www.tme.eu) Illustrations in this manual are only example images and may differ from the actual item. It does not change their main characteristics.

## 2. Application

Device for tinning lead ends.

## 3. Unit setup and operation



P - Adjustment knob  
W - Power on switch  
T - Pot  
O - Ventilation holes

- Place the device on a stable surface.
- Plug the power cord into the appropriate outlet.



**Transfer Multisort Elektronik Sp. z o.o.**

ul. Ustronna 41, 93-350 Łódź, Poland, correspondence address: 90-951 Łódź 40, PO BOX 2071  
tel. +48 42 645 54 44, fax +48 42 645 54 70, [export@tme.eu](mailto:export@tme.eu), [www.tme.eu](http://www.tme.eu)

VAT ID: PL7290108984, REGON (NACE): 473171710, District Court for Łódź-Śródmieście, NCR: 0000165815, initial capital: 3 300 000 PLN

- Place previously chipped solder in a container designed for this observing the maximum level.
- Turn on the power using a button on the device, if the device has it.
- Set the desired temperature and wait until the solder is melted.
- If oxides float on the surface, they must be removed in order to preserve the solder clean.

## 4. Precautions

- Do not turn on the unit immediately after moving it from a cold to a warm room. Condensation may damage the device.
- Damaged power cord must be immediately replaced by a qualified technician.
- The device can be used only in well-ventilated areas.
- Do not cover the ventilation holes.
- Never operate the unit with wet hands or when wires are wet as this could cause a short circuit or electric shock.
- Do not place hot device near the flammable objects, liquids or gases.
- Do not use the station to heat the plastic as it can produce toxic fumes.
- There is a danger of burns by liquid solder.
- Use the proper protective clothing.
- Do not leave the unit unattended.
- The unit should be kept out of reach of children.
- Do not use the soldering pot (vessel) for purposes other than melting the solder.
- After finishing the work, turn off the power, unplug the power cord and wait for the device to cool down.
- It is forbidden to make any construction modifications to the device. Unauthorised construction modifications will result in loss of warranty, and may also cause a malfunction or an accident.
- Never touch the heating element.
- Worn electrical equipment can not be disposed of with othe household waste. Worn electrical equipment must be stored in places designated for that.



**Transfer Multisort Elektronik Sp. z o.o.**

ul. Ustronna 41, 93-350 Łódź, Poland, correspondence address: 90-951 Łódź 40, PO BOX 2071  
tel. +48 42 645 54 44, fax +48 42 645 54 70, export@tme.eu, www.tme.eu

VAT ID: PL7290108984, REGON (NACE): 473171710, District Court for Łódź-Śródmieście, NCR: 0000165815, initial capital: 3 300 000 PLN