

JBC

www.jbctools.com

English



Nitrogen Kit

Ref. KNE-A

Packing List

The following items should be included:

Nitrogen Flow

Regulator1 unit
Ref. MNE-A

Stand1 unit
Ref. DN-SD

Nitrogen Handle.....1 unit
Ref. T245-NA



Nozzles 2 units
Ref. B7243 (x1)
B7244 (x1)

Cartridge1 unit
Ref. C245903

Tip Cleaner1 unit
Ref. CL9885

Sponge1 unit
Ref. S0354



Stand Cable1 unit
Ref. 0011283

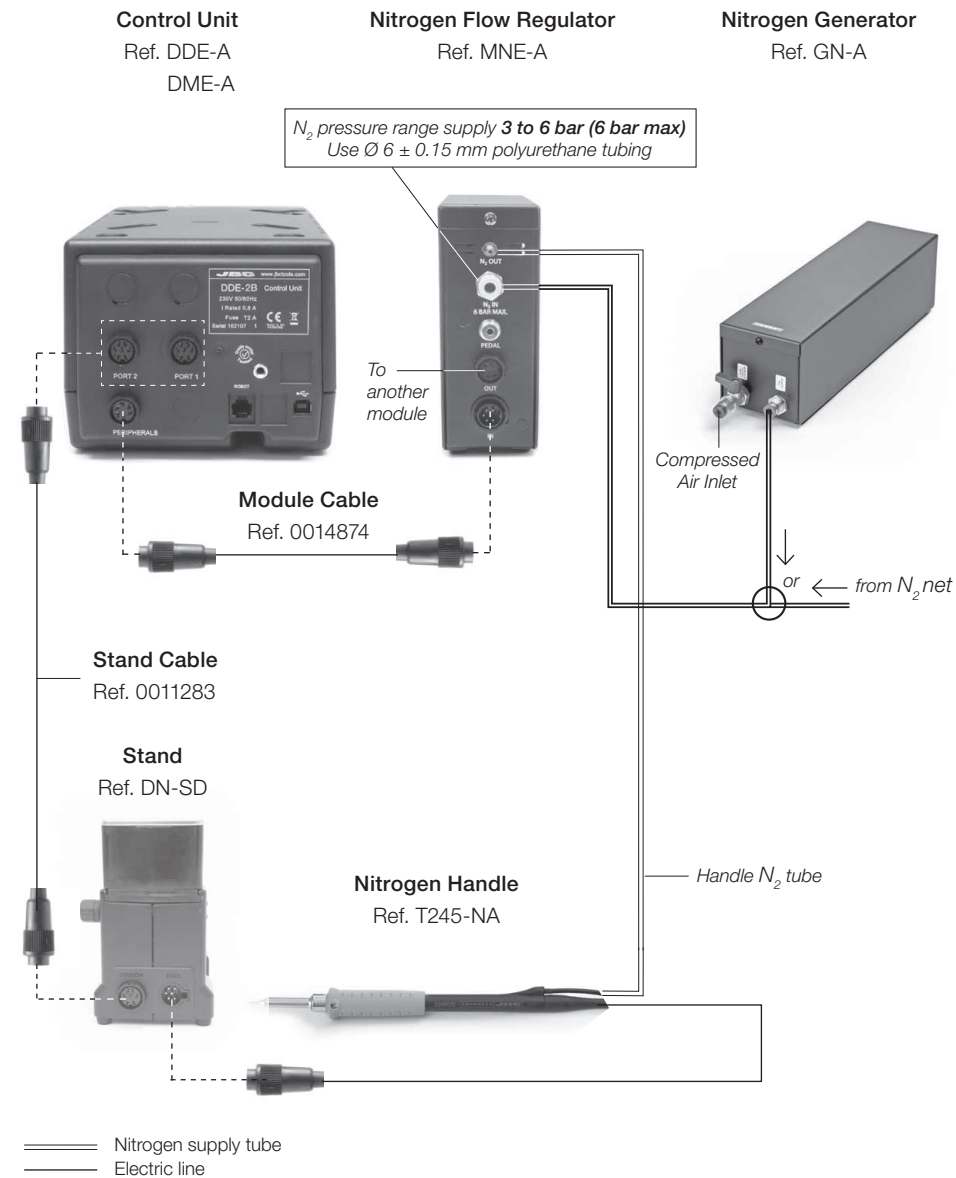
Module Cable1 unit
Ref. 0014874

Manual.....1 unit
Ref. 0014692

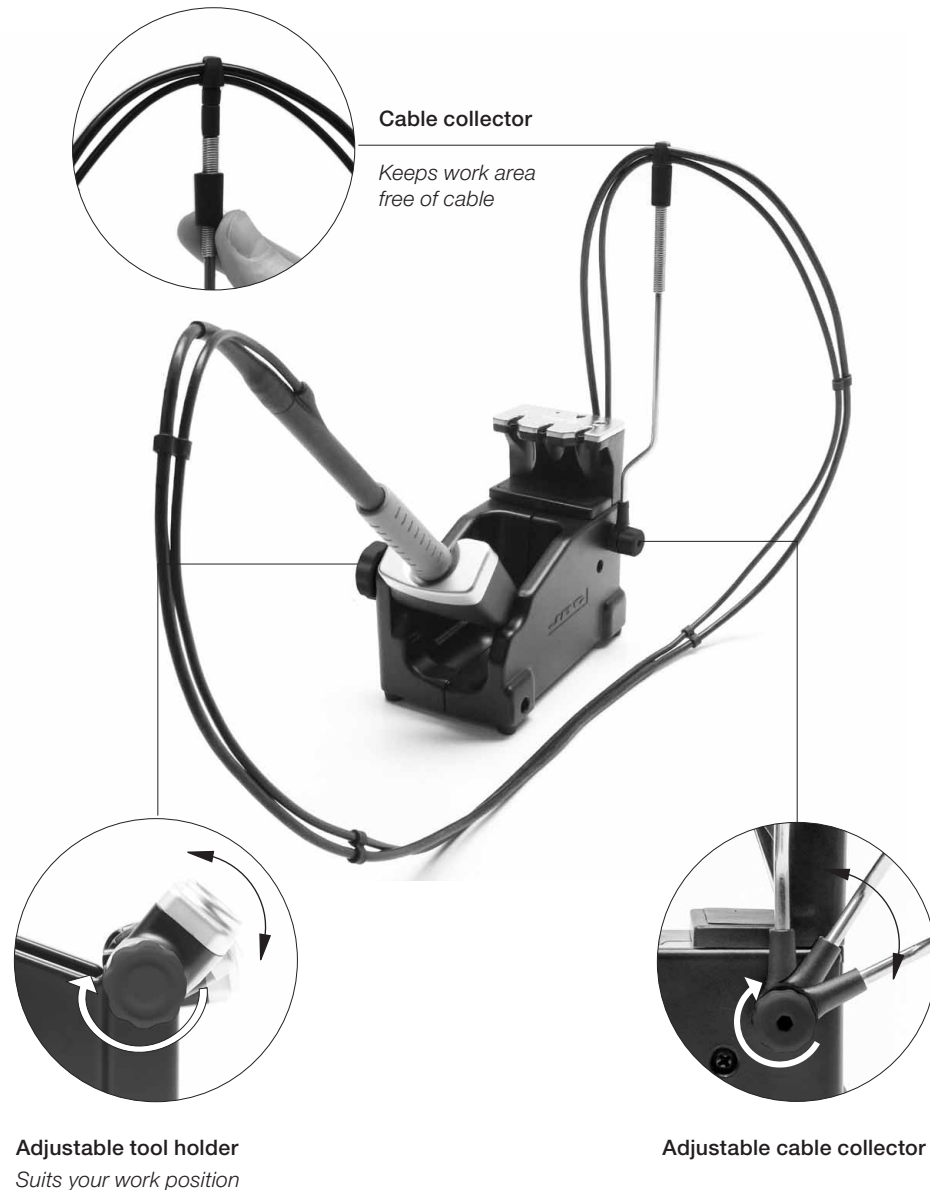


Features

The KNE-A requires the GN-A generator or an available nitrogen supply at the operator's bench.

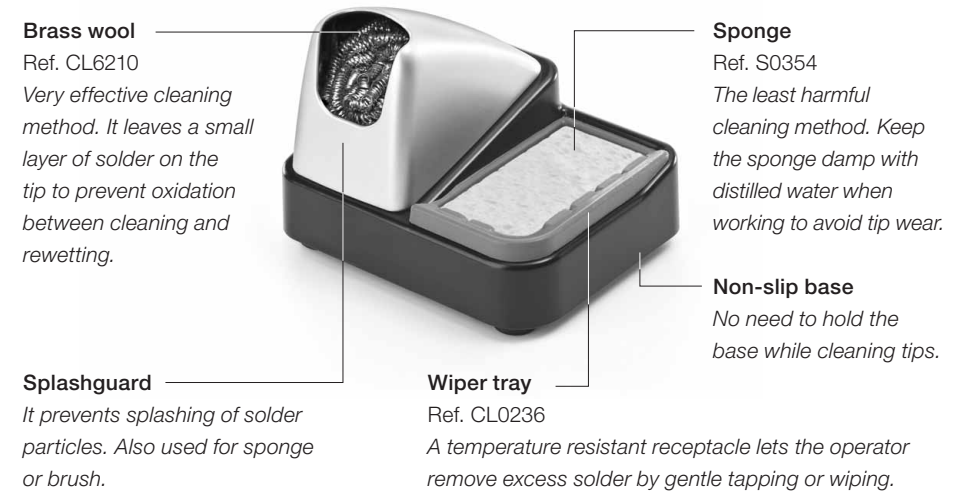


Adjustable Stand



Tip Cleaner

Improve thermal transfer by cleaning the tip after each solder joint.



for Sponge:



for Brushes:



Tapping:



Tap to remove excess solder.

Wiping:



Use the slots to remove remaining particles.

Maintenance



It can be easily removed for cleaning.

Optional

Inox wool
Ref. CL6205



Brushes
Ref. CL6220



Tip-tinner
Ref. TT-A



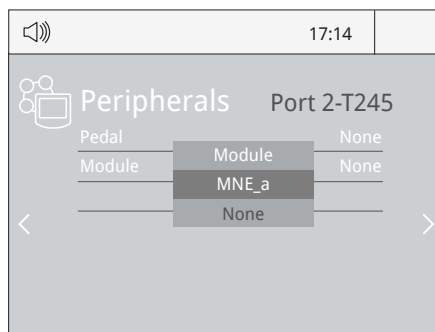
Sand
Ref. CL6211



Initial Set up

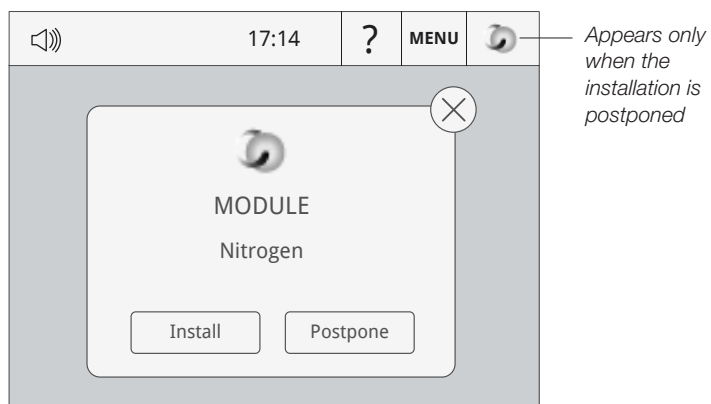
For DDE Control Unit

1. After connecting the MNE, enter the **Peripherals** Menu and select the port you want to join to the module.
2. Select the module from the list. Remember your first connection is denoted as "a", the second as "b", etc. (e.g. MNE_a, MNE_b,...)
3. Press Menu or Back to save changes.



For DME Control Unit

When a new MNE is detected, a **pop-up screen** appears with instructions. If no screen appears, click on the **icon**  on the main bar and follow the steps.



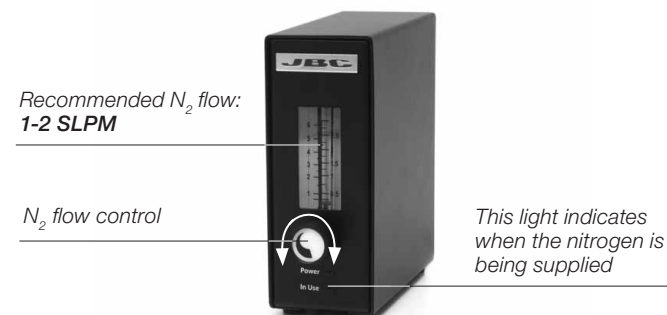
For both Control Units

Once set up, you can change the module settings by entering the **Peripherals** Menu.



Operation

Using nitrogen improves the quality of the solder joint as well as preventing tip oxidation. The MNE is an electrovalve that manages nitrogen flow. It is controlled by the station which keeps gas consumption to a minimum.



1. Nitrogen flow activation



The nitrogen flow is automatically activated when the soldering iron is lifted from the stand.

2. Nitrogen flow deactivation



The flow is interrupted when the tool is returned to the stand and the temperature drops for the tip to go into the Sleep mode.

Accessories

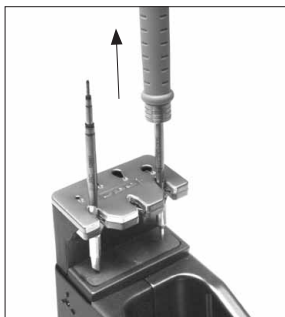
Use the P-005 Pedal to **enable/disable** the MNE-A Nitrogen Flow regulator. This pedal also works with any module or tool regardless of the module to which it is connected.



Changing Cartridges

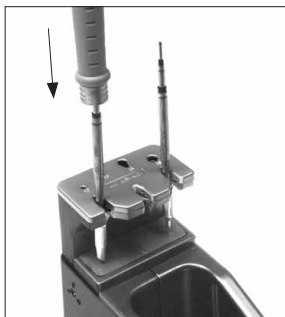
Save time and change cartridges safely without switching the station off.

1. Removing



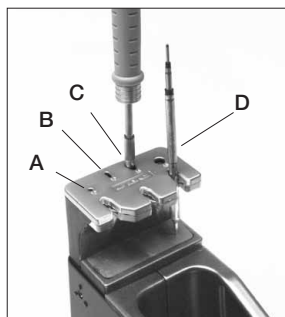
Place the handle in the extractor and pull to remove the cartridge.

2. Inserting



Place the handle on top of the new cartridge and press down.

3. Adjusting



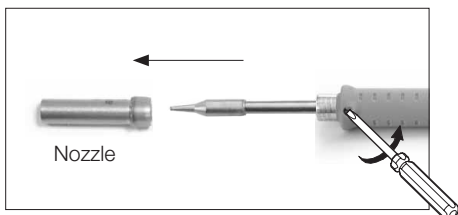
Use the holes for fixing the cartridge as follows:

- A. For straight C210.
- B. For curved C210.
- C. For curved C245.
- D. For straight C245.

Important:

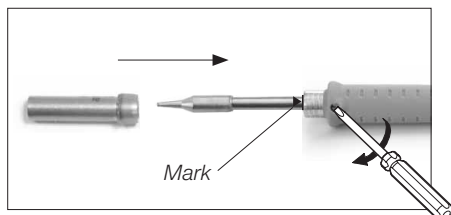
⚠ Use proper pliers to change nozzles if still hot.

Before changing the cartridge



Pull out the nozzle and loosen the cartridge.

After changing the cartridge



Insert the nozzle followed by the cartridge. It is essential to insert the cartridge as far as the mark for a proper connection and tighten the screw to prevent moving.

Compatible Cartridges

The T245-NA Nitrogen Handle works with C245 cartridges. Find the model that best suits your soldering needs in www.jbctools.com



Round



Chisel



Round bent



Bevel

Maintenance

Before carrying out maintenance or storage, always allow the equipment to cool.

- Use a damp cloth to clean the casing, the stand and the tool. Alcohol can only be used to clean the metal parts.
- Periodically check that the metal parts of the tool and stand are clean so that the station can detect the tool status.
- Maintain tip surface clean and tinned prior to storage in order to avoid tip oxidation. Rusty and dirty surfaces reduce heat transfer to the solder joint.
- Periodically check all cables and tubes.
- Replace any defective or damaged pieces. Use original JBC spare parts only.
- Repairs should only be performed by a JBC authorized technical service.



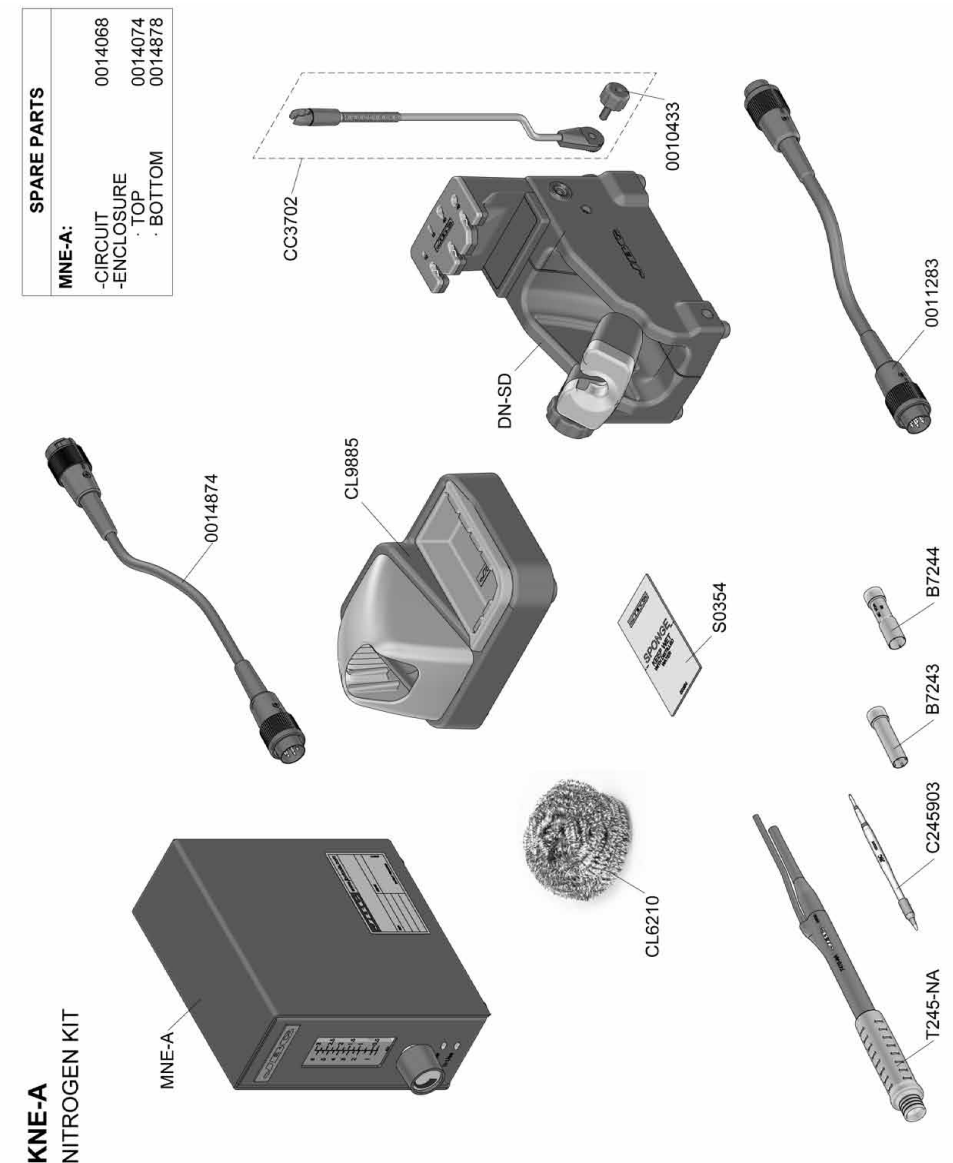
Safety



It is imperative to follow safety guidelines to prevent electric shock, injury, fire or explosion.

- Only nitrogen can be used with this unit.
- Do not use the unit for any purpose other than soldering or rework. Incorrect use may cause fire.
- The power cord must be plugged into approved bases. Be sure that it is properly grounded before use. When unplugging it, hold the plug, not the wire.
- Do not work on electrically live parts.
- The soldering tip, the stand and the metal part of the tool may still be hot even when the station is turned off. Handle with care.
- Do not leave the appliance unattended when it is on.
- Do not cover the ventilation grills. Heat can cause inflammable products to ignite.
- Use a "non residue" classified flux and avoid contact with skin or eyes to prevent irritation.
- Be careful of the fumes produced when soldering.
- Keep your workplace clean and tidy. Wear appropriate protective glasses and gloves when working to avoid personal harm.
- Utmost care must be taken with liquid tin waste which can cause burns.
- This appliance can be used by children over the age of eight and also persons with reduced physical, sensory or mental capabilities or lack of experience provided that they have been given adequate supervision or instruction concerning use of the appliance and understand the hazards involved. Children must not play with the appliance.
- Maintenance shall not be carried out by children unless supervised.

Exploded View



Specifications

- Weight: 3.5 kg (7.8 lb)
- Dimensions (MNE): 50 x 130 x 140 mm
- Voltage (AC): 24V (from control unit)
- Power: 3W
- N₂ pressure range supply: 3-6 bar
- Maximum N₂ pressure: 6 bar
- N₂ flow regulation: 0.5 - 3 SLPM
- Recommended N₂ flow: 1-2 SLPM
- Ambient Operating Temperature: 10-40 °C (50-104 °F)

Complies with CE standards.

ESD protected housing "skin effect".

JBC

Warranty

JBC's 2 year warranty covers this equipment against all manufacturing defects, including the replacement of defective parts and labour.

Warranty does not cover product wear due to use or mis-use.

In order for the warranty to be valid, equipment must be returned, postage paid, to the dealer where it was purchased.



This product should not be thrown in the garbage.

In accordance with the European directive 2002/96/EC, electronic equipment at the end of their life must be collected and returned to an authorized recycling facility.