

UV Exposure Units Quick Start Guide

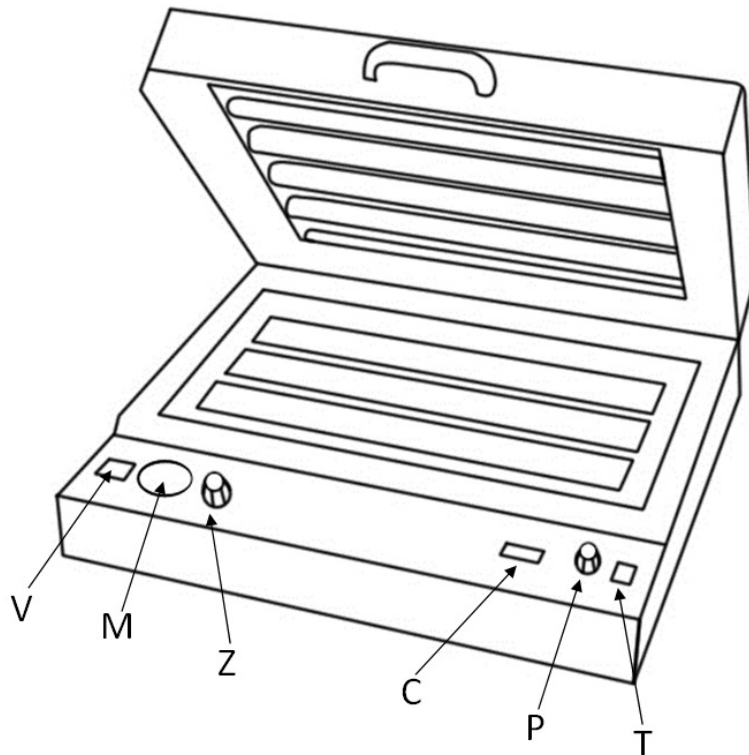
1. Introduction

Dear Customer! Thank you for your purchase in TME! To protect the environment we have prepared for you this quick start guide. Before operating the unit, please read it carefully. Please visit www.tme.eu Illustrations in this manual are only example images and may differ from the actual item. It does not change their main characteristics.

2. Application

The device is designed for PCB exposure in the process of mapping geometric pattern from photomask to photosensitive paint.

3. Unit setup and operation



- V - Vacuum
- M - Vacuum marker
- Z - Vacuum valve
- C - Remaining time
- P - Process time/start programming
- T - Working mode: single-/double-sided PCB

- Place the device on a stable surface.



Transfer Multisort Elektronik Sp. z o.o.

ul. Ustronna 41, 93-350 Łódź, Poland, correspondence address: 90-951 Łódź 40, PO BOX 2071
tel. +48 42 645 54 44, fax +48 42 645 54 70, export@tme.eu, www.tme.eu

VAT ID: PL7290108984, REGON (NACE): 473171710, District Court for Łódź-Śródmieście, NCR: 0000165815, initial capital: 3 300 000 PLN

- Plug the power cord into the appropriate outlet.
- Adjust the lid side covers so that they prevent light leakage to the outside. If necessary, loosen side screws holding the side cover.
- Remove film that protects the photosensitive paint.
- Place the PCB on the mask.
- Push and close the lid.
- Turn on the power.
- Set the required exposure time.
- After finishing work, turn off the power and unplug the power cord.

4. Precautions

- Do not turn on the unit immediately after moving it from a cold to a warm room. Condensation may damage the device.
- Damaged power cord must be immediately replaced by a qualified technician.
- Never operate the unit with wet hands or when wires are wet as this could cause a short circuit or electric shock.
- Do not leave the unit unattended.
- The unit should be kept out of reach of children.
- Do not use the exposur unit for purposes other than PCB exposure.
- After finishing work, turn off the power and unplug the power cord.
- It is forbidden to make any construction modifications to the device. Unauthorised construction modifications will result in loss of warranty, and may also cause a malfunction or an accident.
- Worn electrical equipment can not be disposed of with othe household waste. Worn electrical equipment must be stored in places designated for that.



Transfer Multisort Elektronik Sp. z o.o.

ul. Ustronna 41, 93-350 Łódź, Poland, correspondence address: 90-951 Łódź 40, PO BOX 2071
tel. +48 42 645 54 44, fax +48 42 645 54 70, export@tme.eu, www.tme.eu

VAT ID: PL7290108984, REGON (NACE): 473171710, District Court for Łódź-Śródmieście, NCR: 0000165815, initial capital: 3 300 000 PLN