

# EL-USB-1-PRO

Extended Temperature Range Data Logger

The EL-USB-1-PRO data logger measures and stores up to 32,510 temperature readings over the -40 to +125°C (-40 to +257°F) measurement ranges. The logger is housed in a stainless steel case, to protect the logger from corrosion, impact and moisture. A long life lithium battery is included, which allows logging for up to 3 years.

The user can easily set up the logger and view downloaded data by plugging the device into a PC's USB port and using the supplied software. Data can then be graphed, printed and exported to other applications.

## FEATURES

- -40 to +125°C (-40 to +257°F) measurement range.
- Stainless Steel (316).
- Environmental protection to IP67.
- USB interface for set-up and data download.
- User-programmable alarm thresholds.
- Immediate and delayed logging.
- Supplied complete with high capacity lithium battery and Windows compatible software.



## WINDOWS CONTROL SOFTWARE

Easy to install and use, the control software runs under Windows 2000, XP (Home and Professional Editions, 32-bit) and Vista (32-bit). It allows the user to set up and download data from any EL-USB product. The latest version of the control software may be downloaded from [www.lascarelectronics.com](http://www.lascarelectronics.com).

## DATA LOGGER SETUP VARIABLES

- Logger name.
- °C, °F.
- Logging rate (1s, 10s, 1m, 5m, 30m, 1hr, 6hr, 12hr).
- High and low alarms.
- Immediate and delayed logging.
- Data rollover (Allows unlimited logging periods by overwriting the oldest data when the memory is full).

## ORDERING INFORMATION

<b>Standard Data Logger</b> (Data Logger, battery pack and Software on CD)	Stock Number <b>EL-USB-1-PRO</b>
<b>Replacement Battery Pack</b>	<b>BAT 3V6 2/3AA H TEMP</b>

## SPECIFICATIONS

Specification	Min.	Typ.	Max.	Unit
Measurement range	-40 (-40)		+125 (+257)	°C (°F)
Accuracy (overall error)		±0.2 (±0.4) †	±0.5 (±1)	°C (°F)
Internal resolution		0.1 (0.2)		°C (°F)
Logging rate	every 1s		every 12hr	-
Operating temperature range	-40 (-40)		+125 (+257)	°C (°F)
2/3AA 3.6V Lithium Battery Life		1*		Year

\* 10 second logging rate @ -20°C

LASCAR ELECTRONICS LTD.  
MODULE HOUSE  
WHITEPARISH  
WILTSHIRE SP5 2SJ  
UK  
TEL: +44 (1794) 884567  
FAX: +44 (1794) 884616  
E-mail: [sales@lascar.co.uk](mailto:sales@lascar.co.uk)

LASCAR ELECTRONICS INC.  
4258 West 12th Street  
Erie  
PA 16505  
USA  
TEL: +1 (814) 835 0621  
FAX: +1 (814) 838 8141  
E-mail: [us-sales@lascarelectronics.com](mailto:us-sales@lascarelectronics.com)

LASCAR ELECTRONICS (HK) LIMITED  
Unit Nos. 6-8 , 19/F., Futura Plaza  
111-113 How Ming Street  
Kwun Tong, Kowloon  
Hong Kong  
TEL: +852 2389 6502  
FAX: +852 2389 6535  
E-mail: [saleshk@lascar.com.hk](mailto:saleshk@lascar.com.hk)

*Specifications liable to change without prior warning*

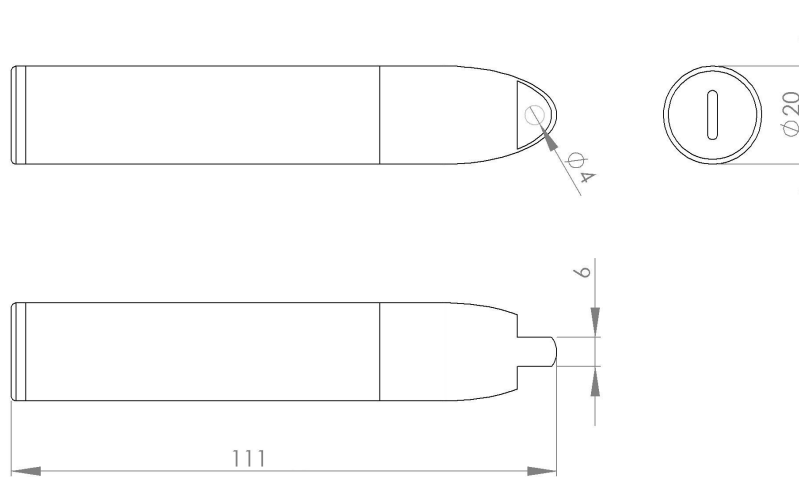
EL-USB-1-PRO Issue Beta 3 09/2008 N.J-H Applies to EL-USB-1-PRO



[www.lascarelectronics.com](http://www.lascarelectronics.com)

Page 1 of 2

## DIMENSIONS All Dimensions in mm



## BATTERY REPLACEMENT

We recommend that you replace the battery every 18 months, or prior to logging critical data.

The EL-USB-1-PRO does not lose its stored readings when the battery is discharged or when the battery is replaced; the data logging process will however be stopped and cannot be re-started until the battery has been replaced and the logged data has been downloaded to PC.

Only use an EL-USB-1-PRO battery back supplied by Lascar, which is rated for use in high temperatures and has the correct battery terminals. Using non-Lascar batteries may result in fire or explosion at high temperatures.

*Note: Leaving the EL-USB-1-PRO plugged into the USB port for longer than necessary will cause some of the battery capacity to be lost.*