



**Fluke-700HTP
Hydraulic Test Pump****Instruction Sheet**

3. Connect the input of the pressure instrument under test to the test pressure port (item ②).
4. Unscrew the pressure release knob (item ⑨) to vent pressure from the pump.
5. Zero the pressure module. The zeroing procedure depends on which pressure module and calibrator you are using.
6. Turn the fine adjustment knob (item ④) to mid-range.
7. Tighten the pressure release knob finger tight.
8. Turn the PRIME / HIGH selector counter-clockwise  to the PRIME position.
9. Squeeze the handles repeatedly until resistance increases (about 10 strokes). The hydraulic cylinder is now primed.
10. Squeeze the handles together and turn the PRIME / HIGH selector clockwise  to the HIGH position. In the HIGH position, the length of the handle stroke is shortened for proper resolution per stroke.

Caution

Pressure may rise rapidly if the pressurized volume is small.

11. Compress the handles to apply incrementally higher pressure.
12. Adjust the pressure using the fine adjustment knob.

Replacement Parts

Pressure release valve stem, Fluke PN 689346
Seal kit, Fluke PN 689361
Handle and main piston assembly, Fluke PN 2029208
Fine control knob, Fluke PN 689349
Hydraulic fluid reservoir, Fluke PN 689353

Limited Warranty & Limitation of Liability

This Fluke product will be free from defects in material and workmanship for one year from the date of purchase. This warranty does not cover fuses, disposable batteries or damage from accident, neglect, misuse or abnormal conditions of operation or handling. Resellers are not authorized to extend any other warranty on Fluke's behalf. To obtain service during the warranty period, send your defective calibrator to the nearest Fluke Authorized Service Center with a description of the problem.

THIS WARRANTY IS YOUR ONLY REMEDY. NO OTHER WARRANTIES, SUCH AS FITNESS FOR A PARTICULAR PURPOSE, ARE EXPRESSED OR IMPLIED. FLUKE IS NOT LIABLE FOR ANY SPECIAL, INDIRECT, INCIDENTAL OR CONSEQUENTIAL DAMAGES OR LOSSES, ARISING FROM ANY CAUSE OR THEORY. Since some states or countries do not allow the exclusion or limitation of an implied warranty or of incidental or consequential damages, this limitation of liability may not apply to you.

Fluke Corporation
P.O. Box 9090
Everett, WA 98206-9090
U.S.A.

Fluke Europe B.V.
P.O. Box 1186
5602 B.D. Eindhoven
The Netherlands

Introduction

The Fluke 700HTP Hydraulic Test Pump (hereafter called the pump) is a portable source of high pressure. The pump has the following specifications:

- Maximum pressure: 700 bar (10,150 psi)
- Hydraulic media: distilled water or mineral based hydraulic oil
- Wetted materials: 303 stainless steel, brass, polyurethane, PTFE, nitrile, and nylon
- Weight: 3.53 lb (1.6 kg)
- Dimensions: length 9.29 in (236 mm), width 6.26 in (159 mm), depth 2.76 in (70 mm)

Box Contents

- Model 700HTP Hydraulic Test Pump with 3/8-in BSP male to 1/4-in. NPT female adapter and 1/4-in. BSP male to 1/4-in. NPT female adapter installed
- 3/8-in. BSP male to 1/4-in. NPT male adapter
- Replacement seal kit for the pump
- Instruction Sheet

How to Contact Fluke

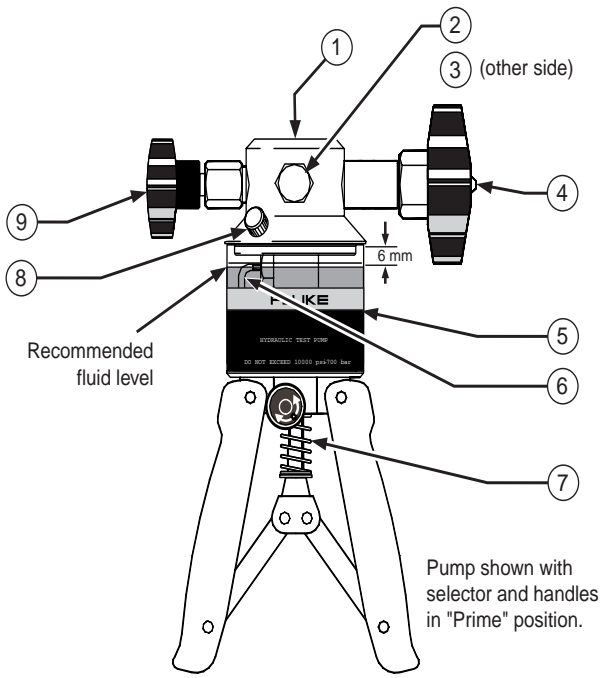
To contact Fluke, call one of the following numbers:

USA: 1-888-99-FLUKE (1-888-993-5853)
Canada: 1-800-36-FLUKE (1-800-363-5853)
Europe: +31 402-675-200
Japan: +81-3-3434-0181
Singapore: +65-738-5655
Anywhere in the world: +1-425-446-5500

Visit us on the World Wide Web at:

www.fluke.com

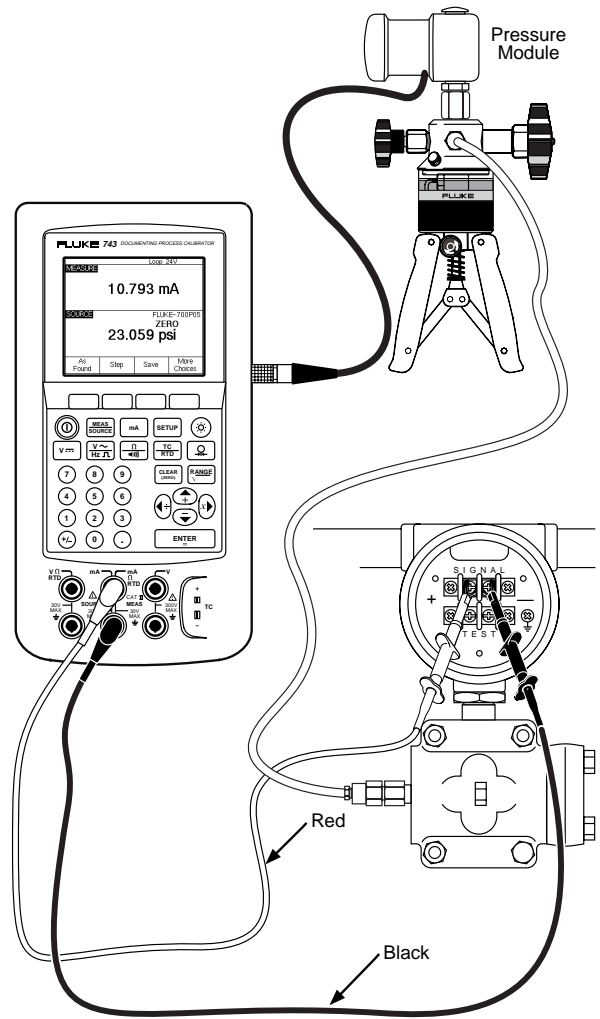
Features of the Test Pump



pk01f.eps

No.	Item	Function
①	Master instrument port	Port for Fluke 700 Series Pressure Module. Supplied with 3/8-in. BSP to 1/4-in. NPT female adapter installed.
②	Test pressure port	Port for pressure instrument under test. Supplied with 1/4-in. BSP to 1/4-in. NPT female adapter installed.
③	Pressure relief valve port	Port for an optional Fluke 700PRV Pressure Relief Valve (plugged).
④	Fine adjustment knob	Allows you to precisely adjust the applied pressure.
⑤	Hydraulic fluid reservoir	Holds 100 cc of hydraulic fluid: mineral based hydraulic oil or distilled water.
⑥	Fluid inlet tube	Feeds hydraulic fluid to the hydraulic cylinder.
⑦	PRIME / HIGH selector	Selects priming mode or pressurizing mode.
⑧	Reservoir filler plug	Remove this to fill hydraulic fluid reservoir. Reseal before you pump.
⑨	Pressure release knob	Allows you to release pressure in a controlled manner.

Using the Test Pump



pk02c.eps

Warning

To avoid a violent release of pressure, always depressurize the system slowly using the pressure release knob (item ⑨, left) before you detach any pressure line from the pump. Do not connect the pump to an external pressure source.

Caution

If you are using the pump with a pressure module or pressure instrument that will be damaged by pressures of 700 bar (10,150 psi), you can protect the equipment by installing a properly set relief valve in the system or an optional Fluke 700PRV Pressure Relief Valve on the pump.

1. Attach a 700 Series Pressure Module (hereafter called "pressure module") to the master instrument port ① for all modules except the 700P High Pressure Modules. To adapt to the 700P Series High Pressure Modules, first remove the installed input adapter and replace it with the male 1/4-in NPT Adapter. The threads in the Master Instrument port are BSP. **Use only a bonded seal (supplied), never use thread sealing tape with the BSP parallel threads.**
2. Connect the pressure module to the calibrator as shown in the figure