

Calibrators Quick Start Guide

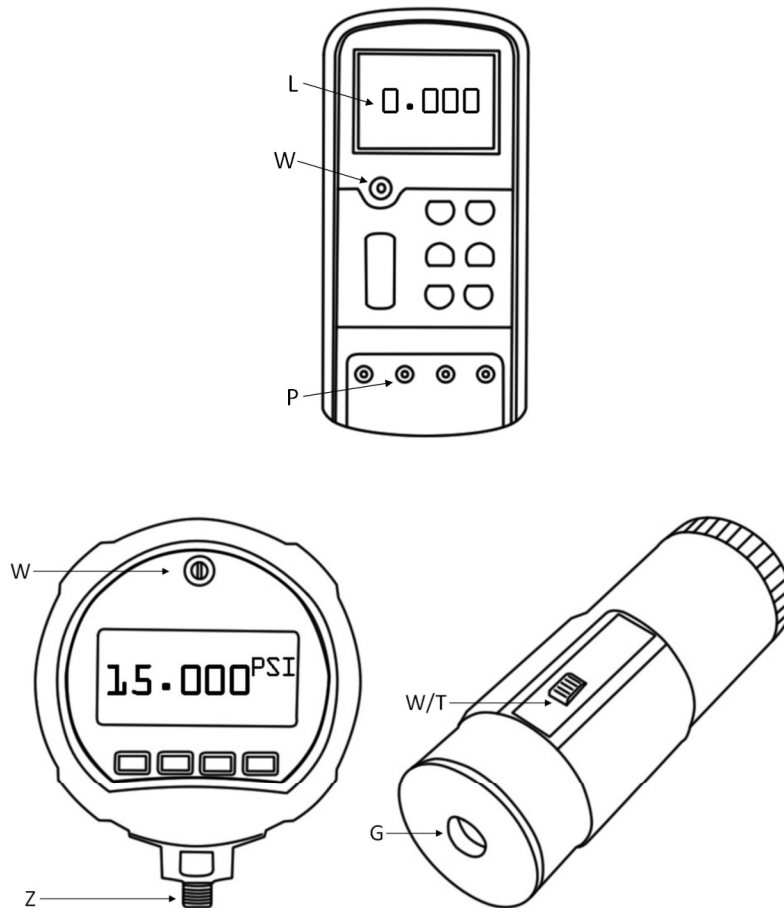
1. Introduction

Dear Customer! Thank you for your purchase in TME! To protect the environment we have prepared for you this quick start guide. Before operating the unit, please read it carefully. Please visit www.tme.eu Illustrations in this manual are only example images and may differ from the actual item. It does not change their main characteristics.

2. Application

This device is designed for the calibration of measuring electronic devices

3. Unit setup and operation



Transfer Multisort Elektronik Sp. z o.o.

ul. Ustronna 41, 93-350 Łódź, Poland, correspondence address: 90-951 Łódź 40, PO BOX 2071
tel. +48 42 645 54 44, fax +48 42 645 54 70, export@tme.eu, www.tme.eu

VAT ID: PL7290108984, REGON (NACE): 473171710, District Court for Łódź-Śródmieście, NCR: 0000165815, initial capital: 3 300 000 PLN

L - LCD display
W - Power on switch
P - Test probes terminals
W/T - Power on switch/battery tester
G - Acoustic transducer
Z - Pressure measurement connector

- Connect the test leads and/or power cords to the respective terminals if they are required.
- Set the function/range selector switch to the desired position. If the value of the measured signal is unknown, select the highest measurement range.
- Touch the test probes, place device closer, connect or install it in the right place in order to perform the measurement.
- Watch the input signal value.
- To replace the battery open the battery cover by unscrewing the screws or loosening the latch, replace the battery, close the cover.

4. Precautions

- Never exceed maximum input values for all functions.
- Do not apply voltage higher than the rated voltage, specified and marked on the unit between terminals or between the terminal and the earth.
- Use appropriate terminals, functions, and ranges for selected measurement.
- Before changing the measurement function, disconnect the test leads from the measurement circuit.
- Do not use the device if it is damaged. Before using the device, inspect the housing. Check if it has no cracks or broken off pieces. Carefully check the insulation surrounding the connectors.
- Make sure the battery cover is closed and latched before operating the unit.
- Do not use the device if it works incorrectly. Protection may be impaired. If you are unsure whether the device is working correctly, take it to the service.
- Use caution when working with voltages above 30 V AC rms, 42 V AC peak and 60 V DC. These voltages can cause electric shock.
- Before starting the measurements check if insulation of test leads and probes is not damaged and there is no exposed metal.
- Damaged test leads should be replaced by new one.
- Before opening the battery compartment cover remove the test leads from the device, if it is possible.
- Replace the battery with a new one or charge the battery if the display shows the battery low indicator.
- When servicing the unit, use only spare parts specified by the manufacturer.
- Never use the device in explosive environments, if it is not designed to work in such conditions.



Transfer Multisort Elektronik Sp. z o.o.

ul. Ustronna 41, 93-350 Łódź, Poland, correspondence address: 90-951 Łódź 40, PO BOX 2071
tel. +48 42 645 54 44, fax +48 42 645 54 70, export@tme.eu, www.tme.eu

VAT ID: PL7290108984, REGON (NACE): 473171710, District Court for Łódź-Śródmieście, NCR: 0000165815, initial capital: 3 300 000 PLN