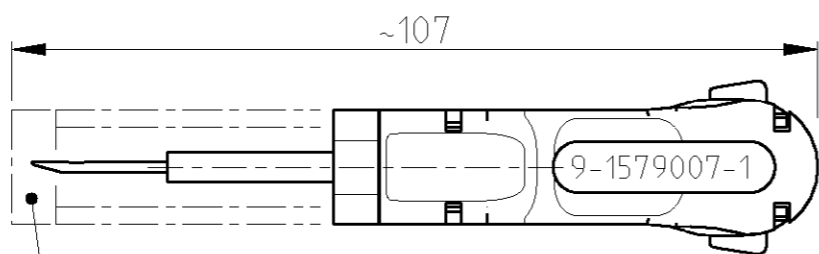
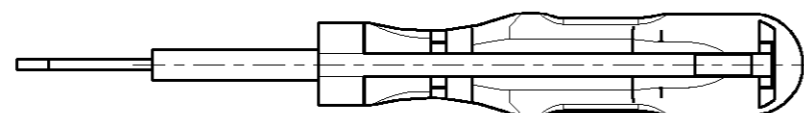
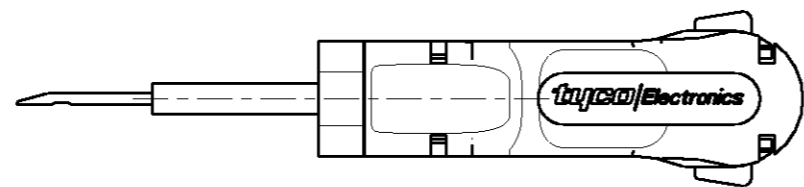


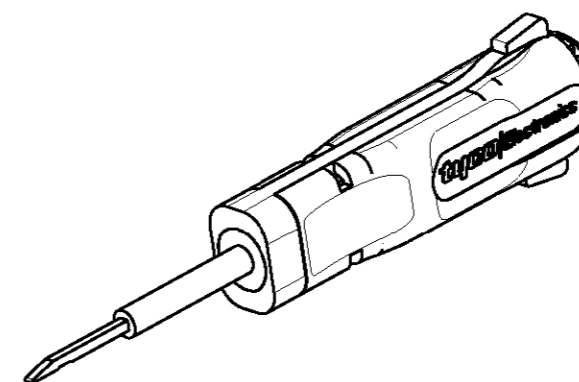
THIS DRAWING IS UNPUBLISHED. RELEASED FOR PUBLICATION 2005

© COPYRIGHT 2005 BY TYCO ELECTRONICS CORPORATION. ALL RIGHTS RESERVED.

LOC	DIST	REVISIONS						
		P	LTR	DESCRIPTION	DATE	DWN	APVD	
A1	-		A	-		10 JAN 2006	-	-



COVER SLIDE
Schutzschieber



FOR CONTACTS :
AMP MULTILOCK .070 Connectors Series

(REPLACEMENT FOR TOOL 784980-1)

<small>THIS DRAWING IS A CONTROLLED DOCUMENT FOR TYCO ELECTRONICS CORPORATION IT IS SUBJECT TO CHANGE AND THE CONTROLLING ENGINEERING ORGANIZATION SHOULD BE CONTACTED FOR THE LATEST REVISION.</small>		DWN	10 JAN 2006			tyco Electronics AMP GmbH		
DIMENSIONS:		CHK	-			D - 64625 Bensheim		
mm		APVD	-		NAME			
		PRODUCT SPEC	-		EXTRACTION TOOL			
TOLERANCES UNLESS OTHERWISE SPECIFIED:		APPLICATION SPEC	-		Entriegelungswerkzeug			
0 PLC ±		WEIGHT	-		SIZE	CAGE CODE	DRAWING NO	RESTRICTED TO
1 PLC ±		CUSTOMER DRAWING		SCALE	1:1	SHEET	1 OF 1	REV
2 PLC ±								A
3 PLC ±								
4 PLC ±								
ANGLES ±°								
MATERIAL								
FINISH								