

4

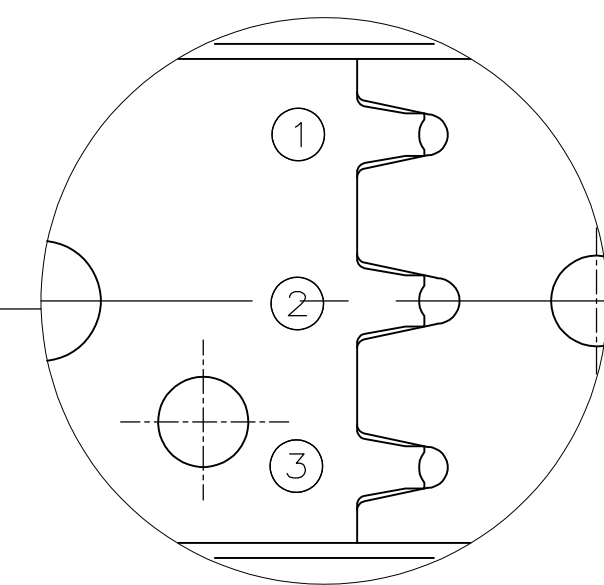
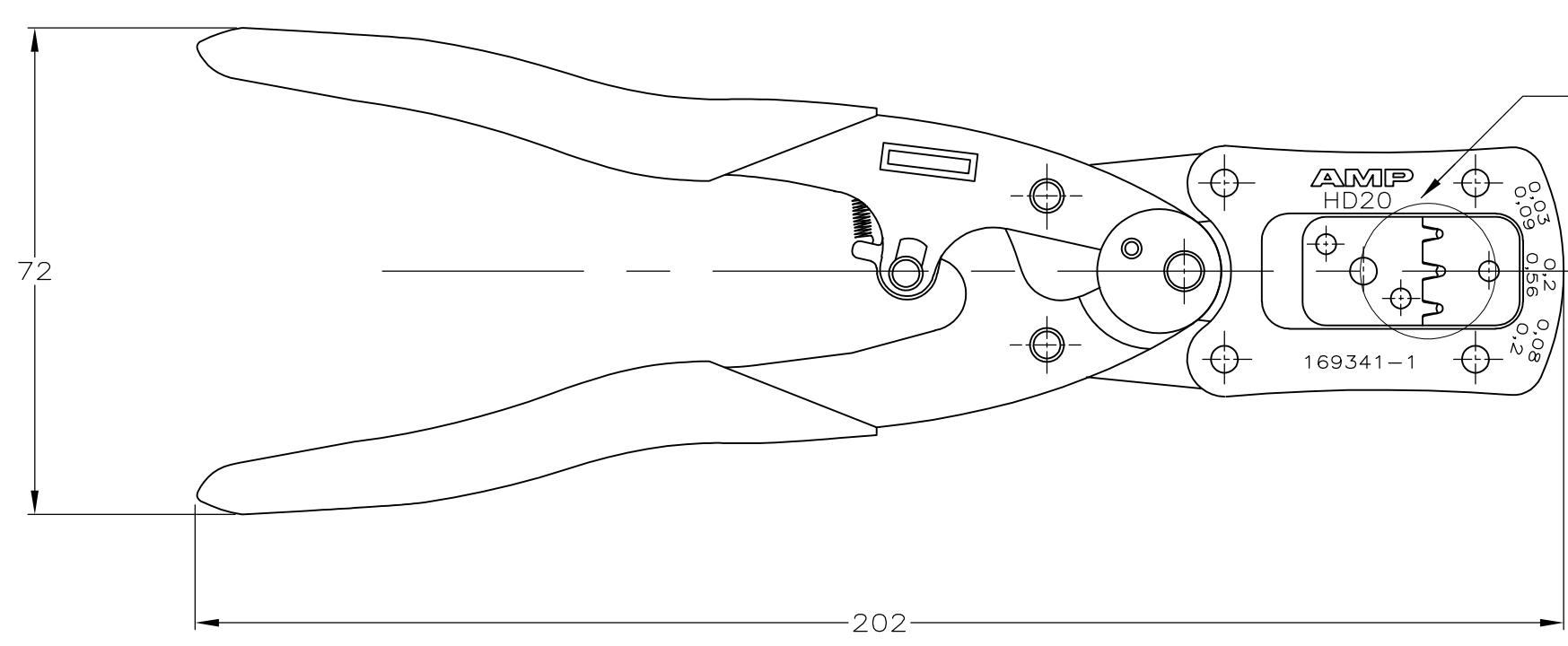
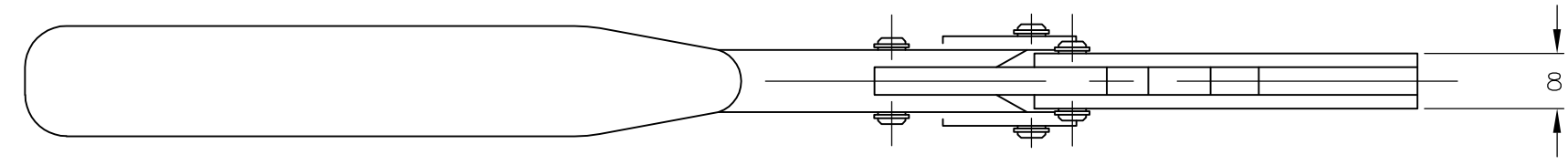
3

2

1

THIS DRAWING IS UNPUBLISHED.      RELEASED FOR PUBLICATION  
 © COPYRIGHT - By -      ALL RIGHTS RESERVED.

LOC	DIST	REVISIONS					
		P	LTR	DESCRIPTION	DATE	DWN	APVD
-	-	P		REVISED PER ECO-11-005294	02APR11	RK	HMR



169341-1  
PARTNUMBER

PROF	WIRE RANGE	INS. RANGE	TERMINAL
1	0,2-0,56	1,3-1,5	SEE CATALOG
2	0,08-0,2	1,0 MAX	SEE CATALOG
3	0,03-0,09	0,5-1,0	SEE CATALOG

THIS DRAWING IS A CONTROLLED DOCUMENT.

DIMENSIONS: mm	TOLERANCES UNLESS OTHERWISE SPECIFIED:
	0 PLC ± - 1 PLC ± - 2 PLC ± - 3 PLC ± - 4 PLC ± - ANGLES ± -
MATERIAL	FINISH
-	-

DWN P.BEIJNON 21-2-89	<b>STE</b> TE Connectivity		NAME HANDTOOL FOR HD 20 CONTACTS		
CHK R.VOS					
APVD L.V.SOEST	SIZE A3		CAGE CODE 00779	DRAWING NO C-169341	RESTRICTED TO -
PRODUCT SPEC -	CUSTOMER DRAWING		SCALE -	SHEET 1 of 1	REV P
APPLICATION SPEC -	WEIGHT -				