

Hot Air Guns Quick Start Guide

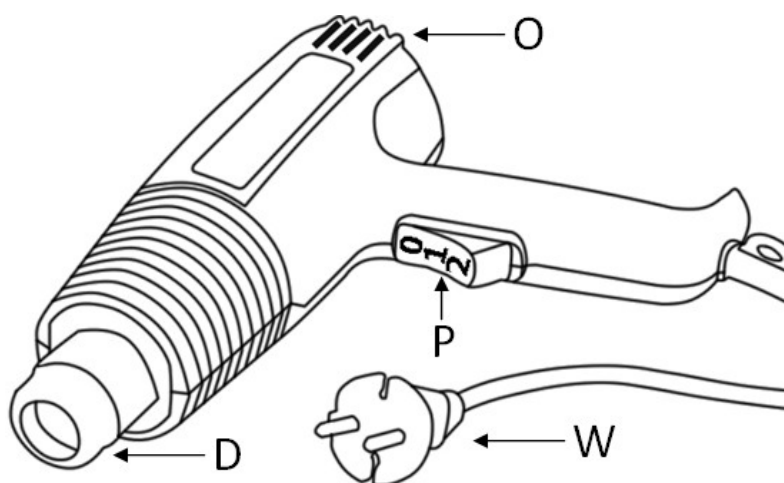
1. Introduction

Dear Customer! Thank you for your purchase in TME! To protect the environment we have prepared for you this quick start guide. Before operating the unit, please read it carefully. Please visit www.tme.eu Illustrations in this manual are only example images and may differ from the actual item. It does not change their main characteristics.

2. Application

The device is designed for removing old paint from various surfaces, plastic bending, soldering copper pipes, welding and thawing.

3. Unit setup and operation



D - Hot air nozzle
P - Heating power switch
O - Ventilation holes
W - Power plug 230V AC

- Plug the power cord into the appropriate outlet.
- Select heating temperature.
- Direct the hot air to the selected item.

4. Precautions



Transfer Multisort Elektronik Sp. z o.o.

ul. Ustronna 41, 93-350 Łódź, Poland, correspondence address: 90-951 Łódź 40, PO BOX 2071
tel. +48 42 645 54 44, fax +48 42 645 54 70, export@tme.eu, www.tme.eu

VAT ID: PL7290108984, REGON (NACE): 473171710, District Court for Łódź-Śródmieście, NCR: 0000165815, initial capital: 3 300 000 PLN

- To protect yourself from harm, danger of personal injury, electric shock, fire or explosion, please observe the following safety rules. Breaching of security regulations poses a threat to life and health. Keep this manual and the safety information in an easily accessible place near the device.
- Power cord can be connected only to a dedicated power outlets or grounded extension cords.
- Before plugging power cord plug to power outlet, make sure that the power switch is in off position.
- Always disconnect the power cord before replacing the lamp, the fuse or additional accessories.
- Do not damage to the power cord; Do not carry the tool by the power cord, pull the cord, etc.
- Use only accessories designed for this device.
- If the device is not used, unplug power cord from the socket; do not leave the unit unattended when its power is on.
- During operation, hold the device by insulated parts such as handle or grip designed for that and avoid touching conductive parts and grounded items (pipes, radiators, etc.).
- Do not touch hot parts of the unit (such as nozzle) or direct hot air onto the skin. In case of skin contact, immediately pour over injured area large amounts of water.
- Keep the device away from children.
- Do not expose the device to direct sunlight, rain, etc.
- Do not turn on the unit immediately after moving it from a cold to a warm room. Condensation may damage the device.
- Use as intended; improper use may cause damage, electric shock, injury or death.
- Repairs should be performed by qualified service centre using appropriate parts.
- It is forbidden to make any construction changes. Unauthorised construction changes will result in loss of warranty and can also cause malfunction or an accident.
- Do not cover and do not tape the vents if the device has them.
- Do not exceed the maximum operating parameters.
- Worn electrical equipment must be stored in places designated for that.
- Observe the operating instructions of the device.



Transfer Multisort Elektronik Sp. z o.o.

ul. Ustronna 41, 93-350 Łódź, Poland, correspondence address: 90-951 Łódź 40, PO BOX 2071
tel. +48 42 645 54 44, fax +48 42 645 54 70, export@tme.eu, www.tme.eu

VAT ID: PL7290108984, REGON (NACE): 473171710, District Court for Łódź-Śródmieście, NCR: 0000165815, initial capital: 3 300 000 PLN