

LogiLink®

Tilt TV Wall Mount for 32"-55" TV

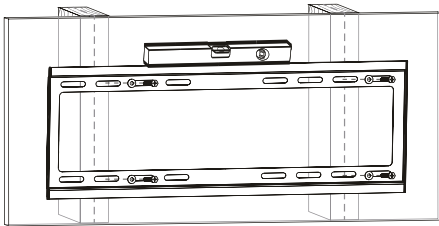
Art. No.: BP0010



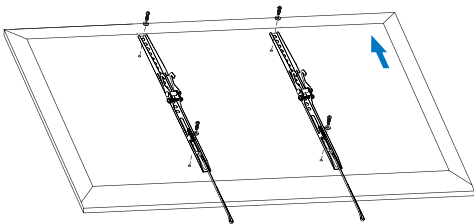
Ultra slim easy installation design, compatible with VESA standard max. 400x400mm.

Features:

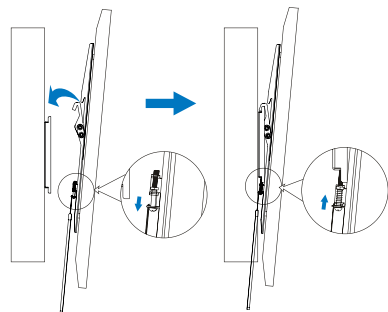
- » Super strong mounting brackets: Solid-reinforced Cold Steel, durable product with maximum capacity of 35kg
- » 20.5mm Profile from wall and Tilt Capacity: 0°~-8°
- » Compatible with VESA 200x200mm, 400x200mm, 300x300mm, 400x400mm
- » Easy to install
- » Fit for 32-55 inch LED LCD plasma TV, PC Monitor screens



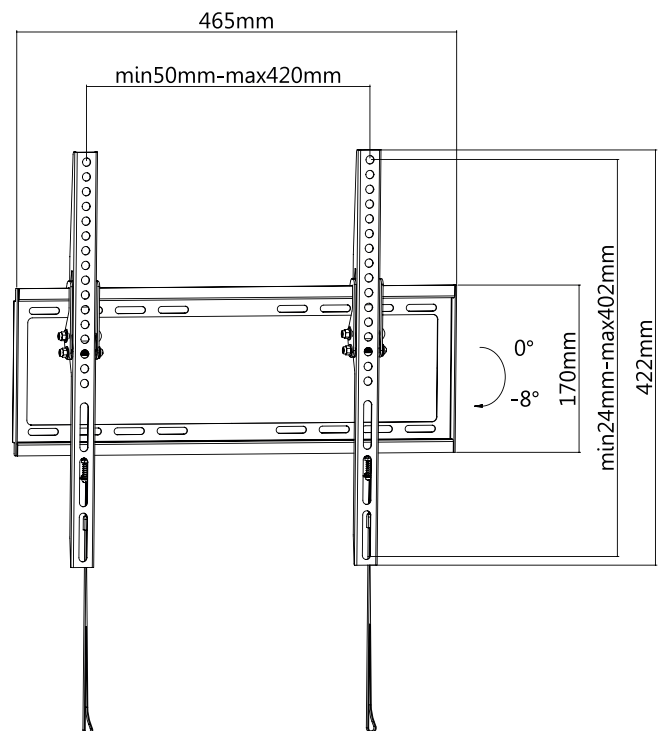
Install the wall plate to the wall



Install the wall mount to back of the TV



Apply the TV with wall mount to the wall plate



RoHS
compliant

* The specifications and pictures are subject to change without notice.
* All trade names referenced are the registered namework of their respective owners.



BP0010



4 052792 042573

Made in China

Best
Connectivity

LogiLink®

Tilt TV Wall Mount for 32"-55" TV

Art. No.: BP0010



Specification:

Screen Size	32"-55"
Rated Load	35kg/77lbs
VESA	200x200, 400x200, 300x300, 400x400
Tilt	0°~-8°
Distance to the wall	20.5mm
Product Size	465 x 422 x 20.5mm



Package Contents:

- » 1 x TV Wall Mount
- » 1 x Screw Package
- » 1 x User Manual

Package Informations:

- » Packing Dimension: 470 x 175 x 25mm
- » Packing Weight: 1.12kg
- » Carton Dimension: 490 x 330 x 195mm
- » Carton Q'ty: 12pcs
- » Carton Weight: 14.1kg



This product is designed to be installed on wood stud walls, solid concrete walls or brick walls. Make sure that the supporting surface will safely support the combined weight of the equipment and all attached hardware and components. This product is intended for indoor use only. Using this product outdoors could lead to product failure and personal injury.



RoHS
compliant

* The specifications and pictures are subject to change without notice.
* All trade names referenced are the registered trademark of their respective owners.



BP0010



4 052792 042573

Made in China