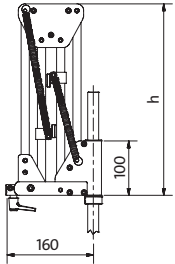
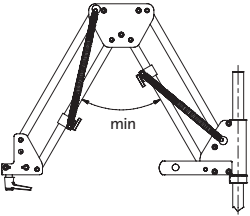
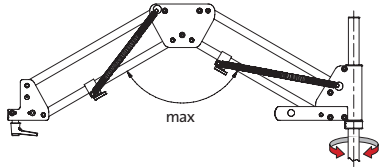
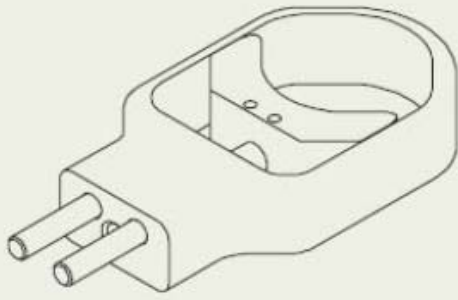


PA2KOL Torque reaction arm

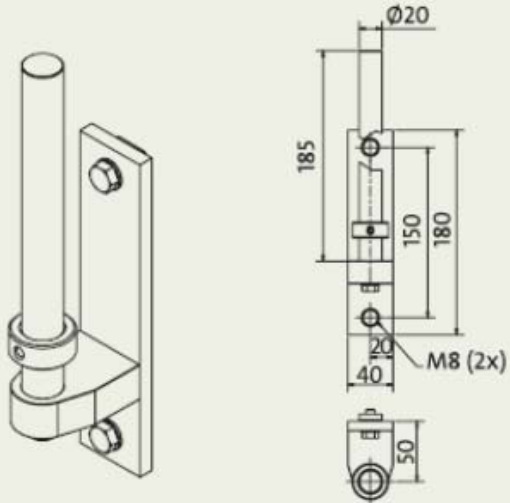
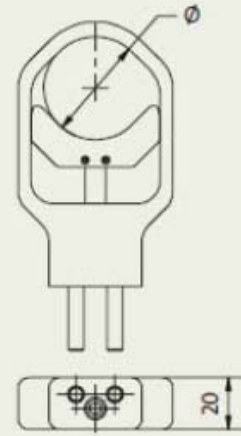
The PA2KOL arm is intended for vertical operations and is used primarily with threading machines and power screwdrivers.



Article Number	Load Capacity	Torque	Max reach	Min reach	Height
PA2	0-2 kg	20 Nm	640 mm	440 mm	350 mm



ADJUSTABLE VERTICAL HOLDER



WALL BRACKET

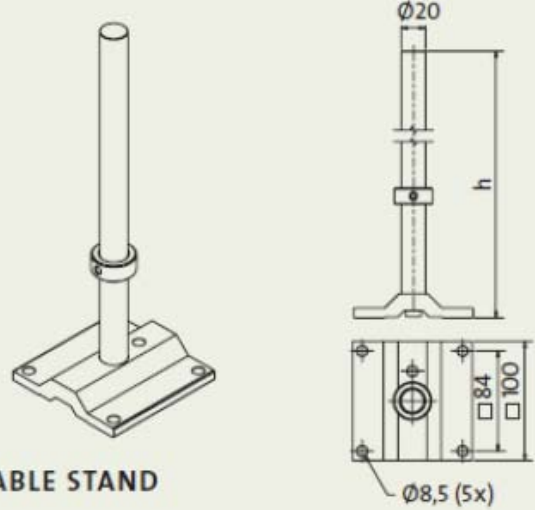


TABLE STAND

Please note: do not exceed an angle of 120° , as shown in the picture.

