

1 2 3 4 5 6

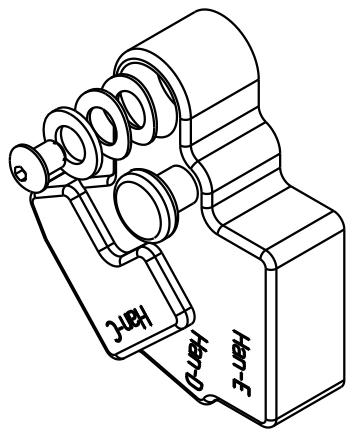
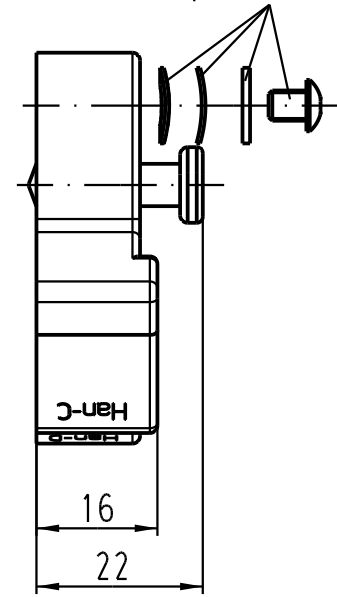
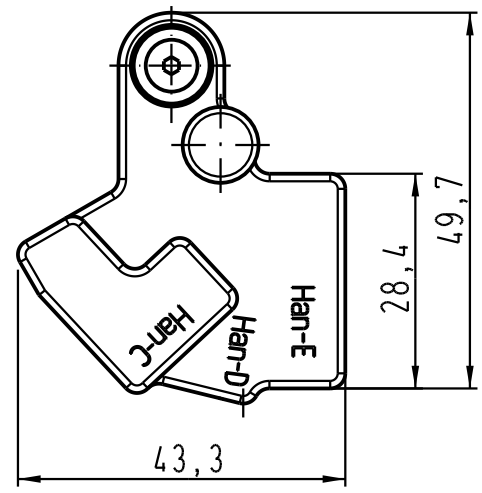
A

B

C

D

lose beigelegt/
seperated enclosed



| | | | | | | | |
|---|------|-------------------|---|----------|--|-------------------|--|
| All Dimensions in mm Original Size DIN A 4 | | Techn. Character. | | | Nicht tolerierte Masse/ Free size tolerances | | |
| | | | Dat. | Name | Massstab/Scale | | |
| | | | Detail. | 18.08.06 | Ho | 1:1 | |
| | | | Insp. | | Sch | | |
| | | | Stand. | | | | |
| 412379 | | | HARTING Electric GmbH & Co. KG D-32339 Espelkamp | | | TB 09 99 000 0376 | |
| Mod. | Dat. | Name | | | | Blatt/ page | |
| | | | Sub. | | | / | |