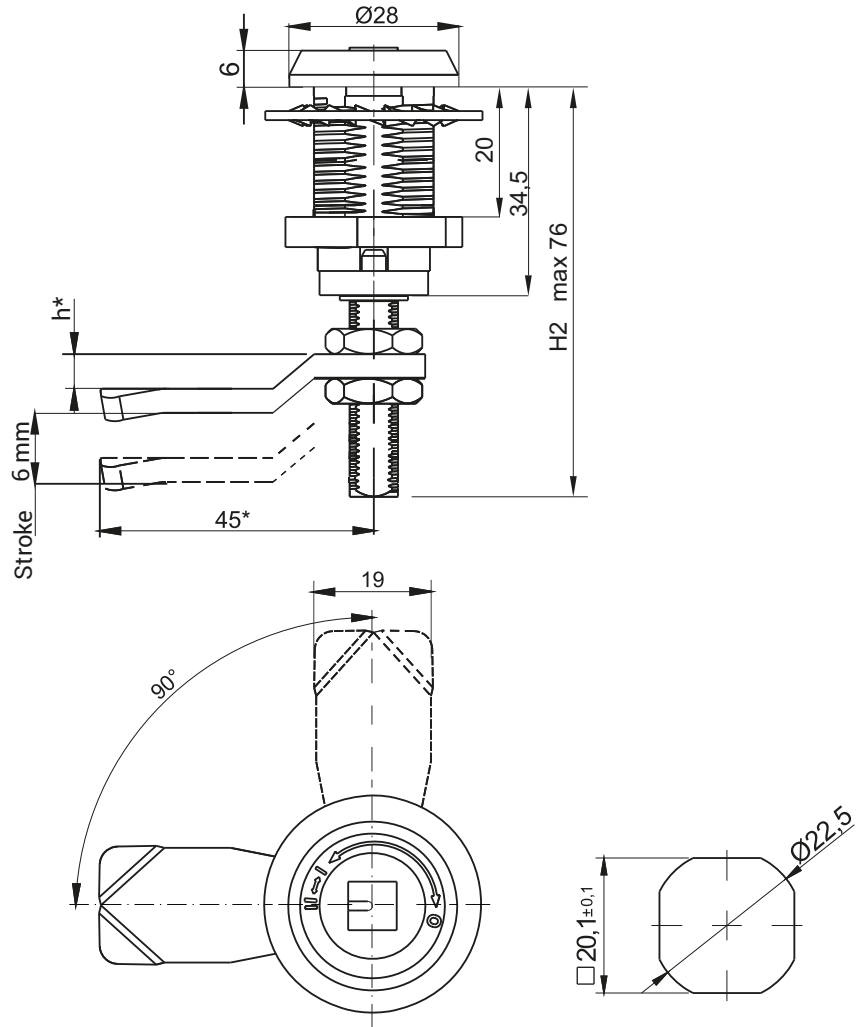


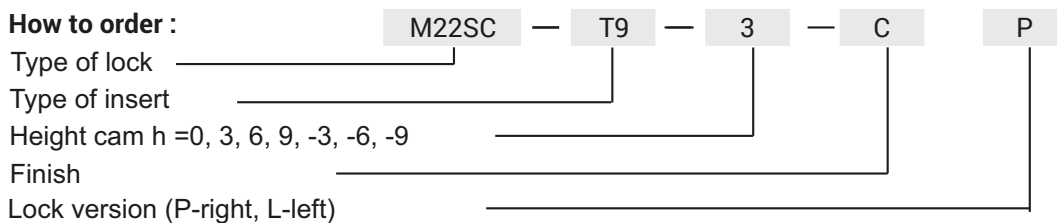
LH/RH



Cut out

Insert					Finish [C]
					Chrome
T9	KW 8	S	N	RAILWAY	01

TYPE OF LOCK	COMPONENTS	MATERIAL
M22SC	Housing, insert	ZAMAK5
	Cam	Steel zinc plated
M22SC SN	Housing, insert	Stainless steel
	Cam	



* possibility to make in another dimension

Lock M22SC addition to being locked, has shaped the possibility of additional security padlock.