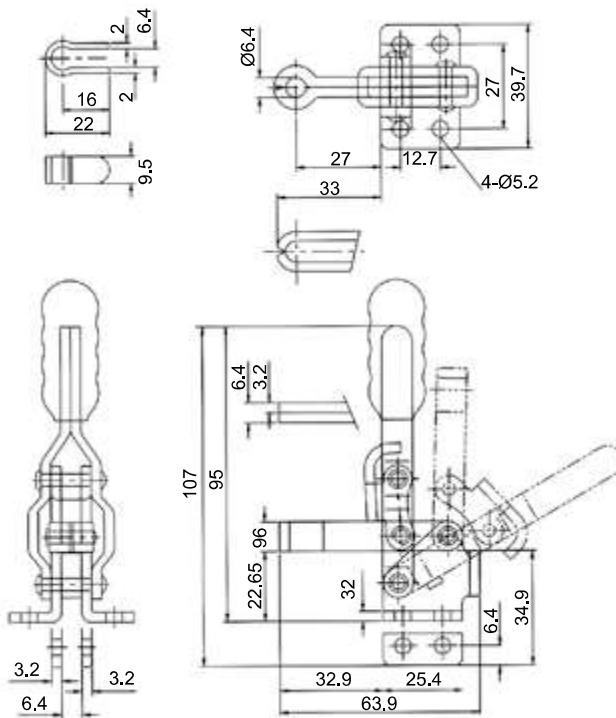


Note: Maximum load 160kg

CATALOGUE NUMBER	MATERIAL
3.565.001	Stainless steel



Note: Maximum load 95kg

CATALOGUE NUMBER	MATERIAL
3.566.001	Stainless steel