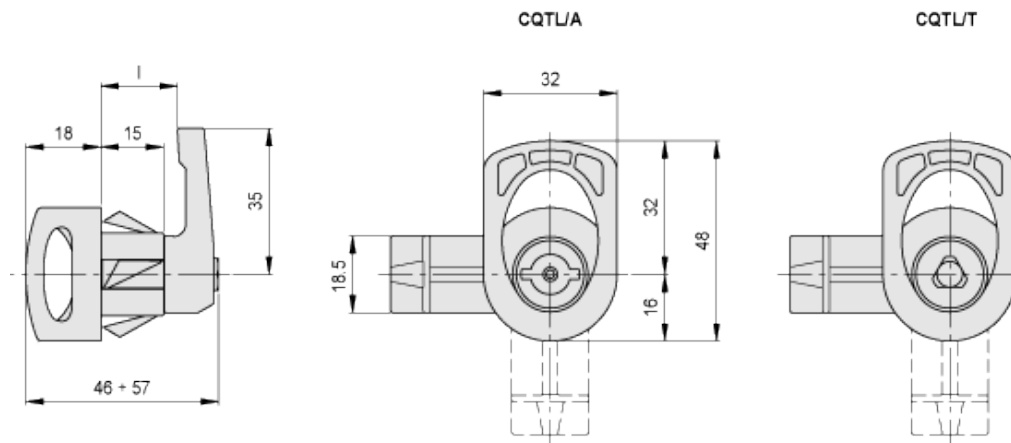


# CQTL.FM



Latches with handle and recessed key  
for quick-assembly



## technical informations

### Material

Glass-fibre reinforced polyamide-based technopolymer (PA), black colour.

### Packing ring

Silicon directly applied onto the back side of the stator head.

### Washer with elastic fixing wings and self-tapping screw

Stainless steel.

### Key

Polyamide based (PA) technopolymer.

### Rotation

90°.

### IP protection

IP 65 protection class according to [IEC 529 table](#).

### Standard executions

- CQTL/A: two-wing groove for key.
- CQTL/T: triangular groove for key.

### Maximum continuous working temperature

130°C.

### Disassembly tool (to be ordered separately)

Code 421550 ATTREZZO CQT.FM. in AISI 304 stainless steel.

### Special executions on request

- Closing levers in zinc-plated steel.
- Latches and keys supplied separately.

### Features

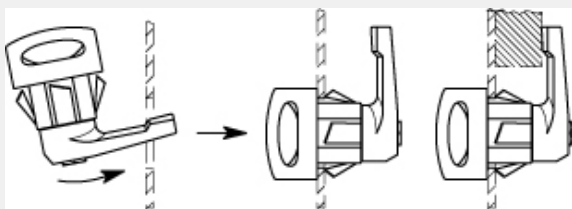
With steel plate thickness ranging from 1 to 2 mm CQTL.FM latches (patented) allow faster mounting on doors.

### Assembly instructions

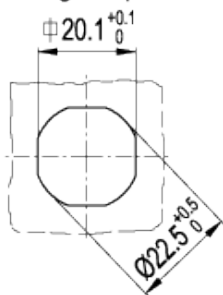
The latch is inserted in the mounting hole of the door on the lever side (see picture) until the wings of the elastic washer snap in, ensuring complete fastening.

The latches are supplied with assembled lever for faster mounting.

Where needed, the latch can be disassembled from the inside of the door by means of a disassembling tool (to be ordered separately).



### Drilling template



Standard Elements		Main dimension	Weight
Code	Description	l	g
421251	CQTL/A-FM-35-18	18	25
421252	CQTL/A-FM-35-20	20	26
421253	CQTL/A-FM-35-22	22	27
421254	CQTL/A-FM-35-25	25	29

421255	CQTL/A-FM-35-30	30	34
421256	CQTL/T-FM-35-18	18	25
421257	CQTL/T-FM-35-20	20	26
421258	CQTL/T-FM-35-22	22	27
421259	CQTL/T-FM-35-25	25	29
421260	CQTL/T-FM-35-30	30	34

---



ELESA and GANTER models all rights reserved in accordance with the law. Always mention the source when reproducing our drawings.

**STANDARD MACHINE ELEMENTS WORLDWIDE**