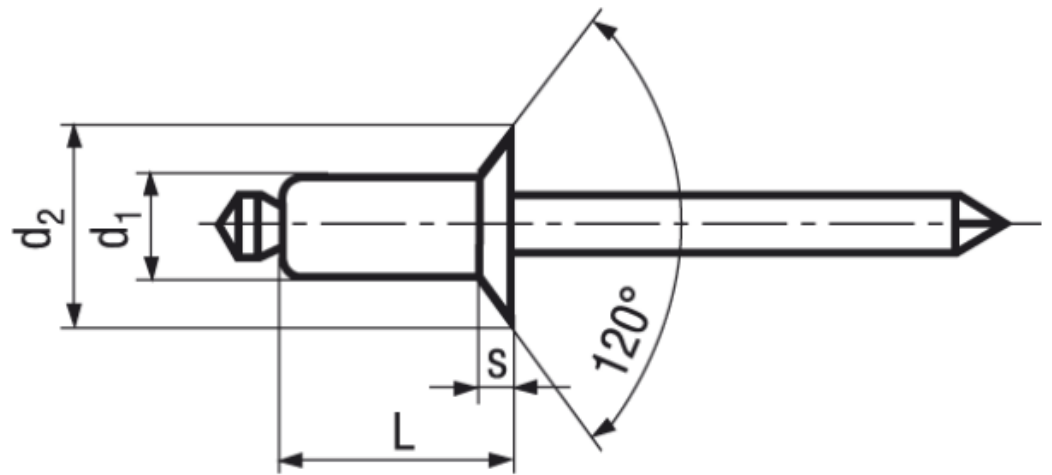


## BN 925 - ~DIN 7337 B

Countersunk head blind rivets

~DIN 7337 B

~UNI 9200 B



Trade mark	<b>Pop® Standard</b>	Material	<b>Rivet: Aluminum / Mandrel: Steel</b>
Type	<b>TAPK...BS</b>	Quality	<b>Al Mg 3,5</b>

### Article No. - 1366890

Code	TAPK 58 BS
Bestell-Nr. ALT	TAP/K 537
d <sub>1</sub>	4
L	12
u	6,1-7,7
d <sub>2</sub> ~	
s~	
t	4,1