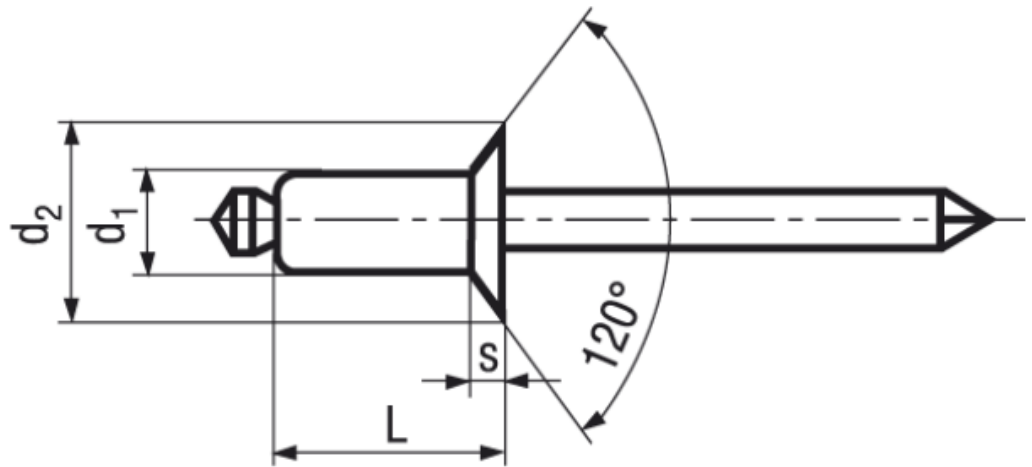


## BN 925 - ~DIN 7337 B

Countersunk head blind rivets

~DIN 7337 B

~UNI 9200 B



Trade mark	<b>Pop® Standard</b>	Material	<b>Rivet: Aluminum / Mandrel: Steel</b>
Type	<b>TAPK...BS</b>	Quality	<b>Al Mg 3,5</b>

### Article No. - 1366831

Code	TAPK 48 BS
Bestell-Nr. ALT	TAP/K 435
d <sub>1</sub>	3,2
L	11
u	5,8-7,4
d <sub>2</sub> ~	
s~	
t	3,3