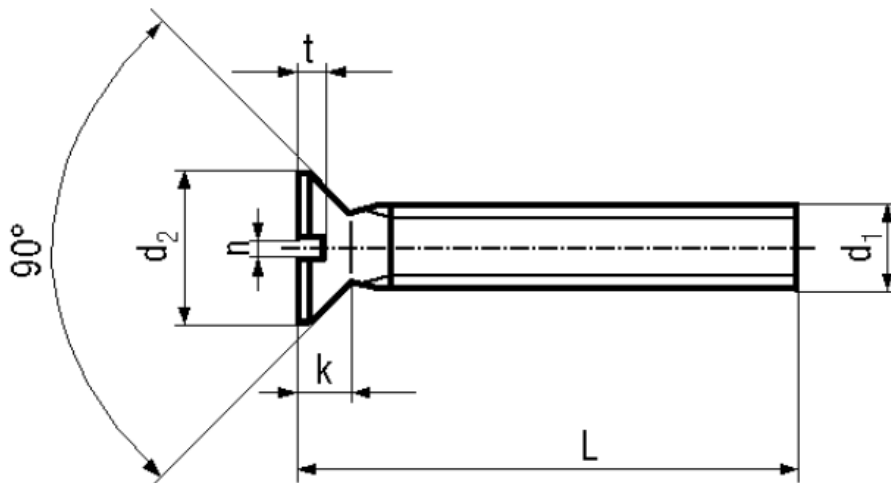


## BN 1066

Slotted flat countersunk head screws

~DIN 963 A  
~ISO 2009  
~UNI 6109



Material	<b>Polyamide 6.6</b>	Quality	<b>PA 6.6</b>
Color	<b>white</b>		

### Article No. - 1403354

d <sub>1</sub>	M6
L	20
d <sub>2</sub>	11
k	3
n	1,6
t	1,2

DIN 963: Standard withdrawn