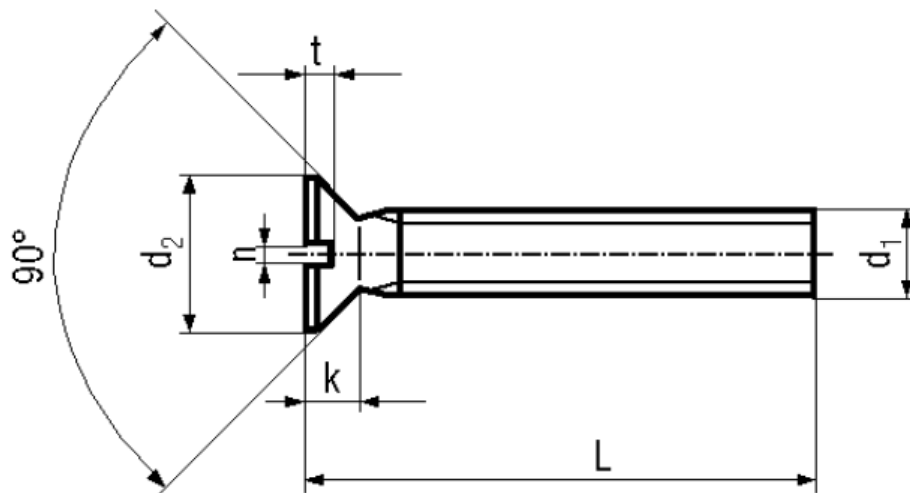


## BN 1066

Slotted flat countersunk head screws

~DIN 963 A  
~ISO 2009  
~UNI 6109



Material	Polyamide 6.6	Quality	PA 6.6
Color	white		

### Article No. - 1403346

d <sub>1</sub>	M6
L	16
d <sub>2</sub>	11
k	3
n	1,6
t	1,2

DIN 963: Standard withdrawn