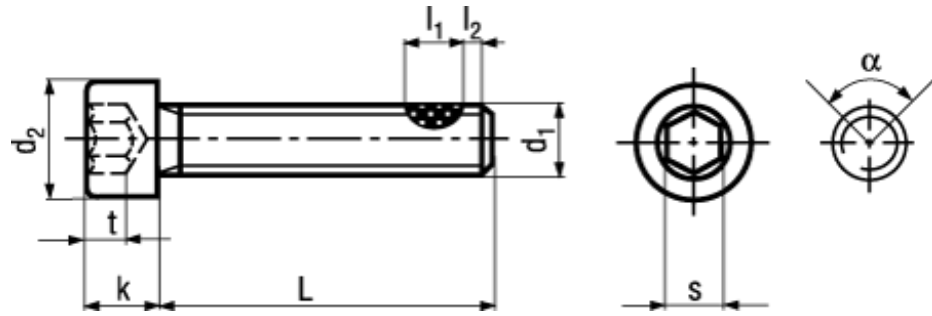


DIN 912	ISO 4762	TufLok®	8.8
---------	----------	---------	-----



Standard withdrawn



BN 8706
Hex socket head cap screws
fully threaded with TufLok® patch
Steel 8.8
zinc plated blue
<ul style="list-style-type: none"> • ~UNI 5931 • ~CSN 021143

i Coating angle α in the screw body area approx. 90°. Edge zone (spray transition) up to 180°. Coating length l_1 = ~ 4 to 6 thread turns. Around 1 to 2 thread turns remain uncoated to ensure flawless installation (l_2).

Article#	d ₁	d ₂	k	s	t min.	L
1575678	M4	7	4	3	2	10
1575686						12
1575694						16
1575708						20
1575716						25
1575724	M5	8,5	5	4	2,5	10
1575732						12
1575740						16
1575759						20
1575775						25
1575805	M6	10	6	5	3	10
1575848						12
1575864						16
1575872						20
1575880						25
1575902	M8	13	8	6	4	10
1575910						12
1575929						16
1576119						20
1576127						25
1576135						30
1576143						35
1576151	M10	16	10	8	5	20
1576194						25

Article#	d ₁	d ₂	k	s	t min.	L
1576208	M10	16	10	8	5	30
1576216						35
1576224						40