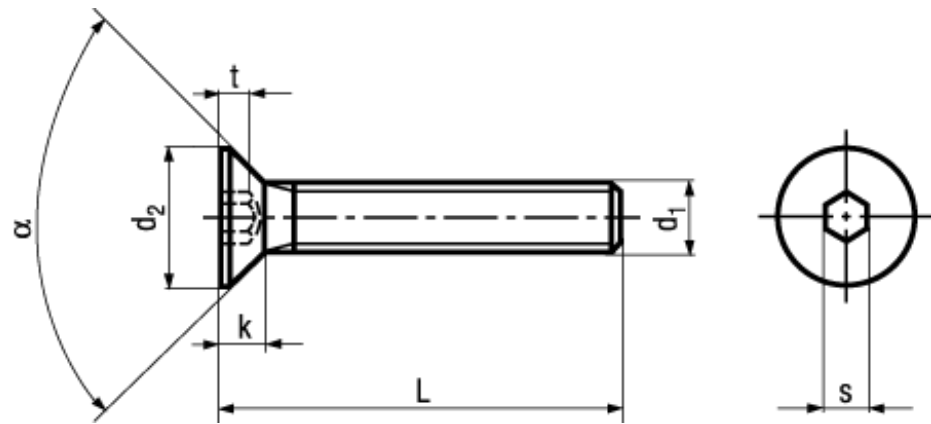


DIN 7991	~ISO 10642	010.9 / 10.9
----------	------------	--------------



Standard withdrawn

The head marking is determining



<b>BN 1422</b>
<b>Hex socket flat countersunk head screws</b>
fully threaded
Steel 010.9 / 10.9
zinc flake coated
• ~UNI 5933

**i** Fasteners to the given specification have a reduced loadability due to the head geometry according to ISO 898-1. The general change-over from DIN 7991 to ISO 10642 in the practice requires a verification of the application.

Article#	d <sub>1</sub>	d <sub>2</sub> max.	k max.	s	t	alpha	L
1202162	M5	10	2,8	3	2,3	90°	8
1202170							10
1202189							12
1202197							(14)
1202200							16
1202219							(18)
1202227							20
1202243							25
1202251							30
1202499							35
1202502							40
1202510							(45)
1202529							50
3645548							(55)
3645550							60
1202278	M6	12	3,3	4	2,5	90°	8
1202286							10
1202294							12
1202308							(14)
1202316							16
1202324							(18)
1202332							20
1202340							(22)
1202359							25

|

Article#	d <sub>1</sub>	d <sub>2</sub> max.	k max.	s	t	alpha	L
1202367	M6	12	3,3	4	2,5	90°	30
1202375							35
1202537							40
1202545							(45)
1202553							50
3645551							(55)
3055565							60
3645553							70
3645554							80
1202383	M8	16	4,4	5	3,5	90°	12
1202391							(14)
1202405							16
1202413							(18)
1202421							20
1202448							(22)
1202456							25
1202464							30
1202472							35
1202480							40
1202561							(45)
1202588							50
1202596							(55)
1202618							60
1202626							70
1202634							80
3645556							90
3645557							100
1202766	M10	20	5,5	6	4,4	90°	16
1202774							(18)
1202782							20
1202804							25
1202812							30
1202820							35
1202839							40
1202642							(45)
1202650							50
1202669							(55)
1202677							60
1202685							70
1202693							80
1202847	M12	24	6,5	8	4,6	90°	20

Article#	d <sub>1</sub>	d <sub>2</sub> max.	k max.	s	t	alpha	L
1202855	M12	24	6,5	8	4,6	90°	25
1202863							30
1202871							35
1202898							40
1202901							(45)
1202928							50
3645558							(55)
1202707							60
1202715							70
1202723							80
1202936	M16	30	7,5	10	5,3	90°	25
1202944							30
1202952							35
1202960							40
1202979							(45)
1202987							50
1202995							60
1202731							70
1202758							80