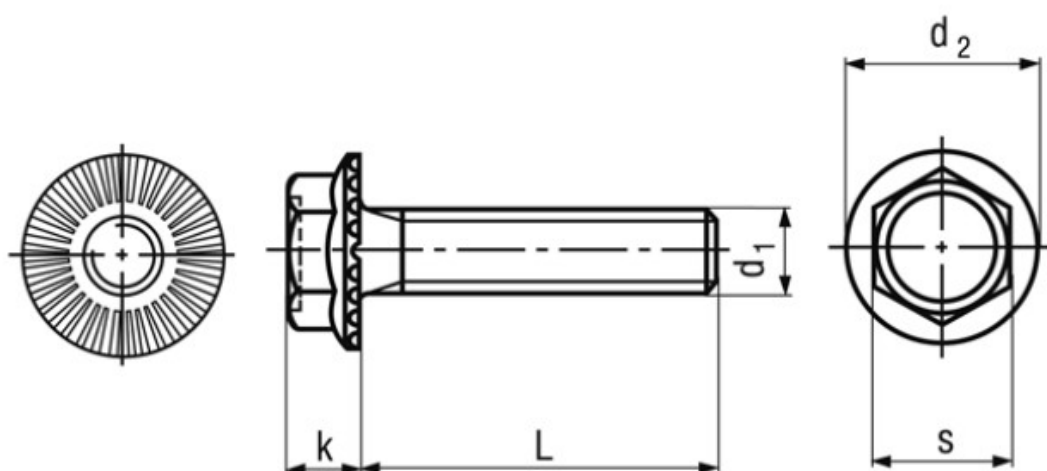


BN 9727

Hexagon head locking screws



Trade mark	VERBUS RIPP®	Quality	100
Material	Steel	Tensile strength	1040-1200 N/mm2
Surface	zincflake coated		

Article No. - 3060472

d_1	M8
L	30
d_2	
k	7
s	13