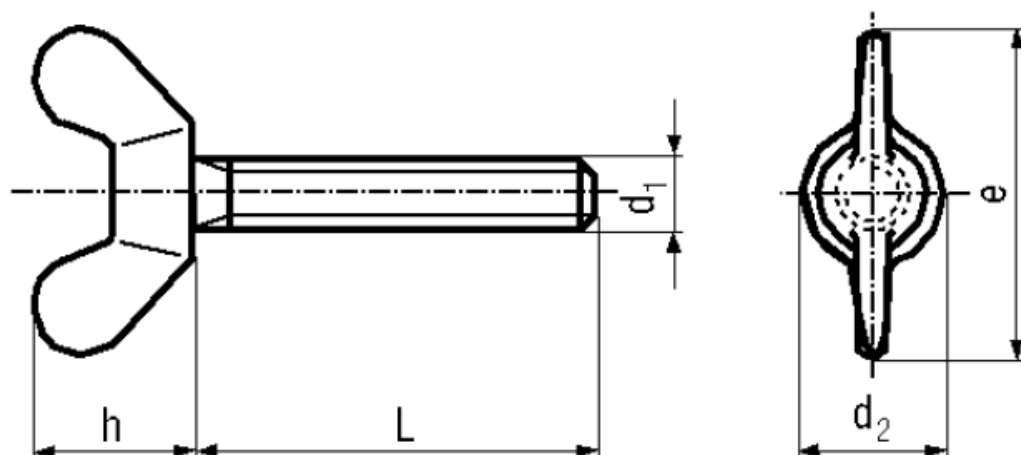


## BN 276

Wing screws

DIN 316

~UNI 5449



Material	Malleable cast iron / Steel	Surface	zinc plated blue
----------	-----------------------------	---------	------------------

### Article No. - 1110926

d <sub>1</sub>	M8
L	30
d <sub>2</sub> max.	16
e max.	39
h max.	20

At manufacturer's option: Wing malleable cast iron or steel