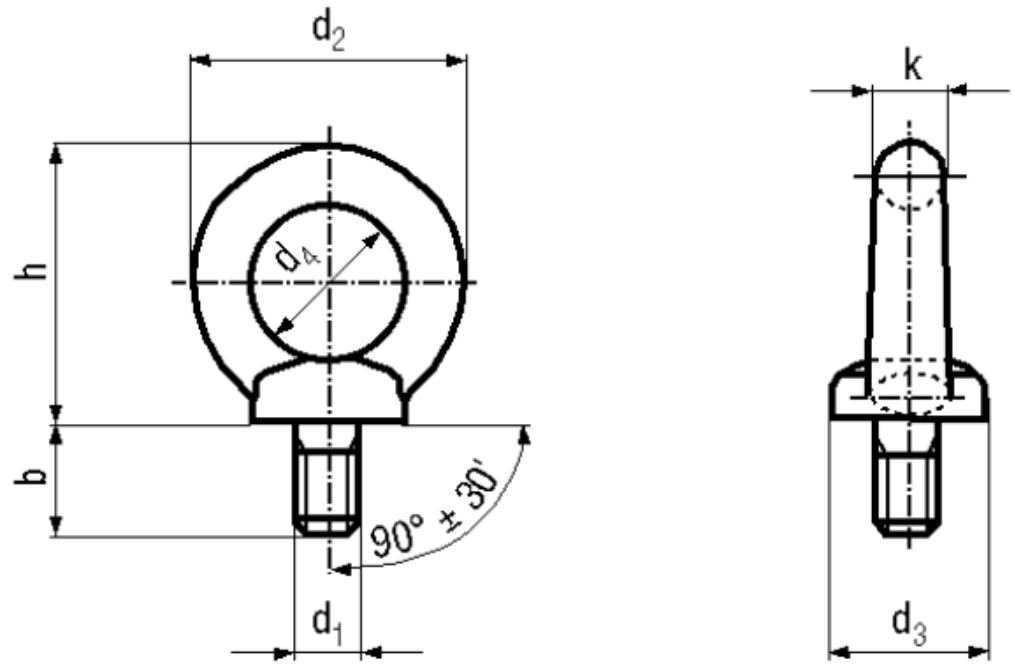


BN 258

Lifting eye bolts

DIN 580
~ISO 3266
~UNI 2947



Material	Steel	Quality	C15E
Surface	zinc plated blue		

Article No. - 3457970

d ₁	M6
h	27,5
b	12
d ₂	27
d ₃	16
d ₄	14
k	6,5
DIN for one bolt	70
DIN for two bolts	50

Fine-pitch threads and other threads available upon request.

The maximum permissible load given in above chart ensure a safety factor 4 against deformation of any kind and a safety Factor of 5 against fracture.