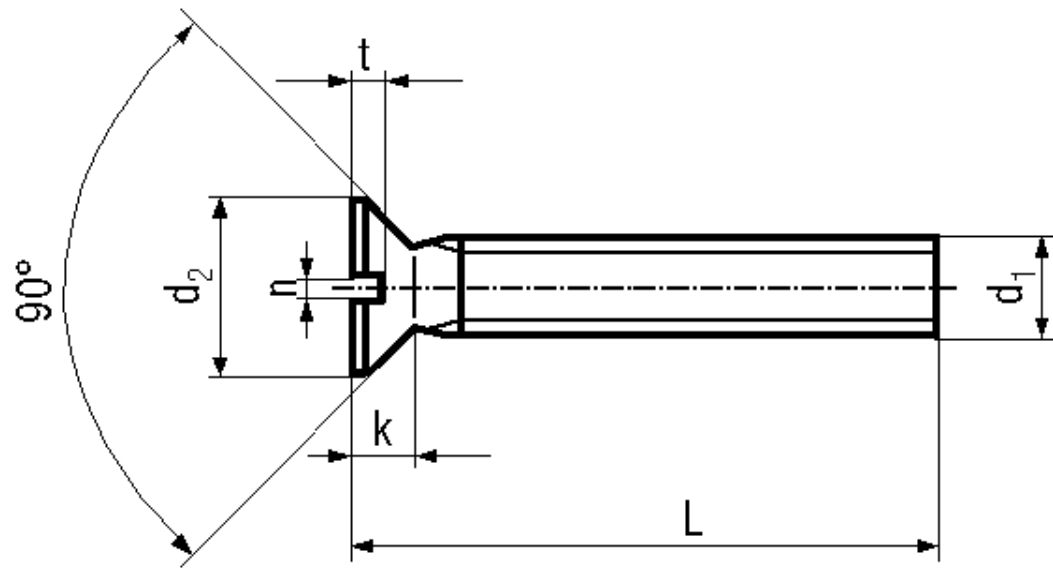


## BN 654

Slotted flat countersunk head screws

DIN 963 A  
~ISO 2009  
~UNI 6109



Material	Stainless steel	Quality	A2
----------	-----------------	---------	----

Article No. - 1247077	
d <sub>1</sub>	M6
L	20
d <sub>2</sub>	11
k max.	3
n	1,6
t min.	1,2

DIN 963: Standard withdrawn

All lengths fully threaded.

Slotted flat countersunk head screws with small head VSM 13328: BN 658