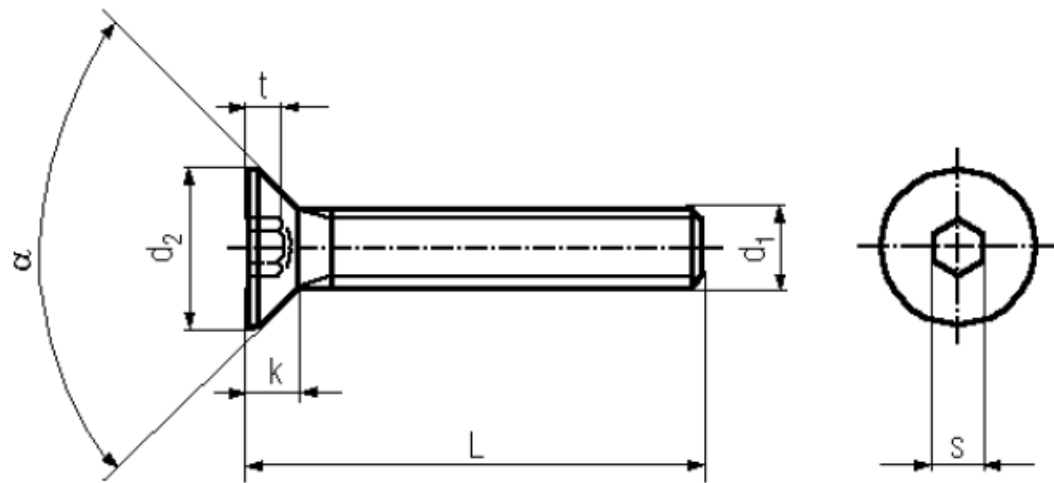


BN 4719

Hexagon socket flat countersunk
head screws
fully threaded
fully threaded

DIN 7991
~ISO 10642
~UNI 5933



Material	Stainless steel	Quality	A4
----------	------------------------	---------	-----------

Article No. - 1096176	
d ₁	M6
L	20
d ₂ max.	12
k max.	3,3
s	4
t	2,5
v	90

DIN 7991: Standard withdrawn

M2: M2,5; Not included in ISO 7991.