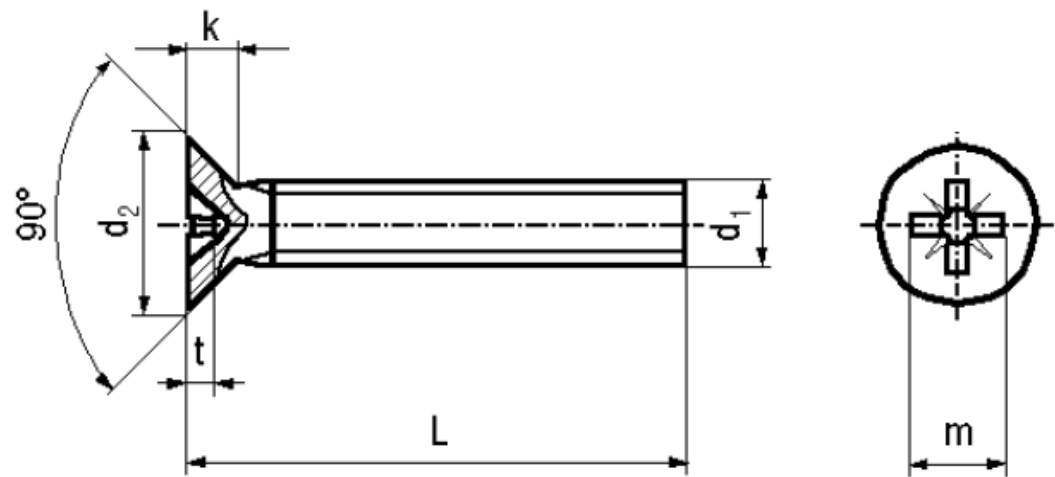


## BN 3333

Cross recessed flat countersunk head screws  
 Pozidriv Z

DIN 965 A  
 ~ISO 7046  
 ~UNI 7688



Material	<b>Steel</b>	Quality	<b>4.8</b>
Surface	<b>zinc plated blue</b>	Tensile strength	<b>400 N/mm<sup>2</sup></b>

### Article No. - 2097079

d <sub>1</sub>	M3
L	4
d <sub>2</sub> max.	5,6
k max.	1,65
Pozidriv	1
m~	2,8
t min.	1,48
t max.	1,73

DIN 965 A: Standard withdrawn  
 DIN 965 A Phillips cross recess (Type H) see BN 388, BN 8167.  
 All lengths fully threaded.