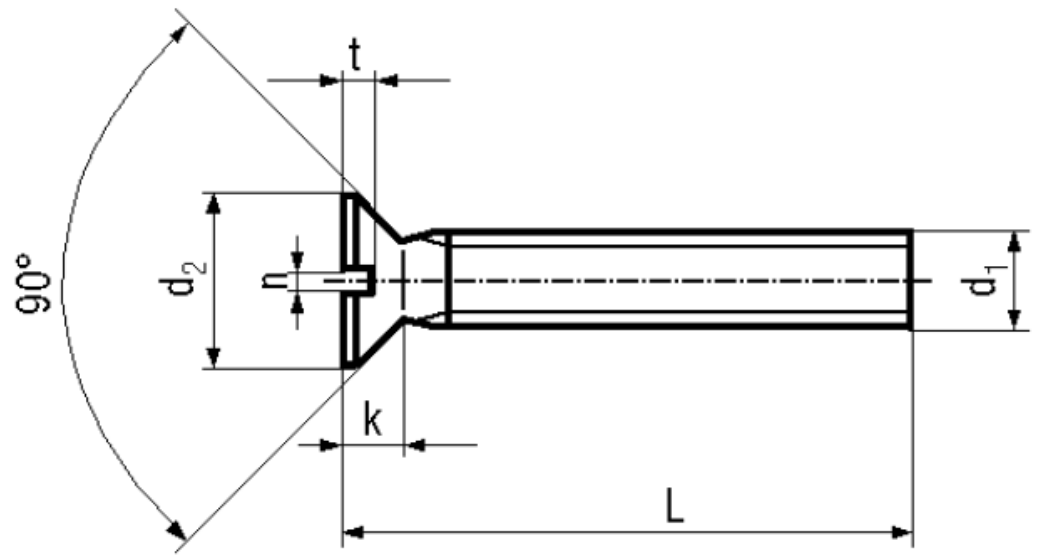


BN 538

Slotted flat countersunk head screws

DIN 963 A
 ~ISO 2009
 ~UNI 6109



Material Surface

Article No. - 1206540

d ₁	M3
L	6
d ₂	5,6
k max.	1,65
n	0,8
t min.	0,6

DIN 963: Standard withdrawn