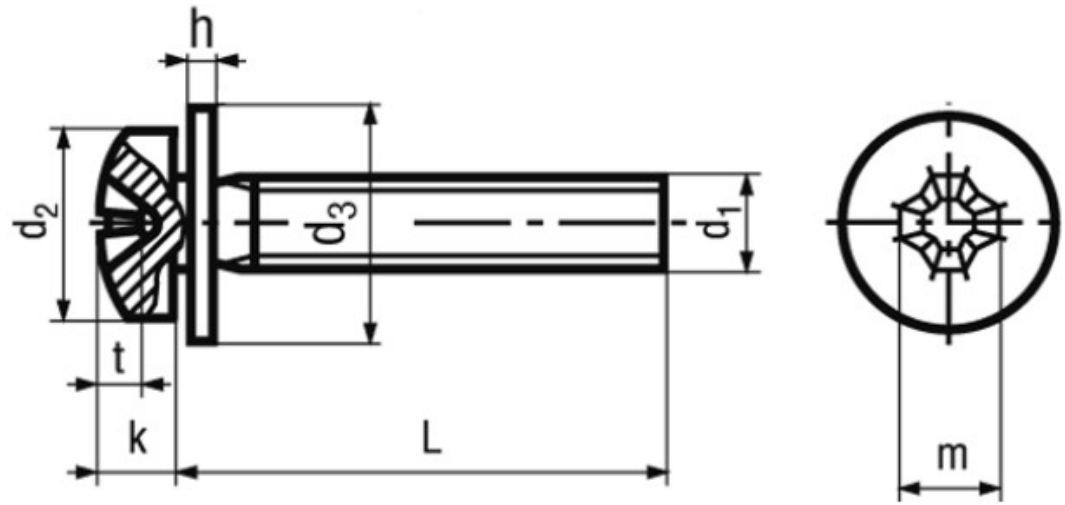


BN 1719 - DIN 7985 Z1

Cross recessed pan head assembled screws
Phillips H, with captive flat washer
DIN 6902 A

DIN 7985 Z1



Material	Steel	Tensile strength	400 N/mm ²
Surface	zinc plated blue	Elongation after fracture	min. 14%
Quality	4.8		

Article No. - 3056180

d ₁	M3
L	12
d ₂ max.	6
k max.	2,52
Phillips	1
t min.	1,7
t max.	2
m~	3,1
d ₃	
h	0,6