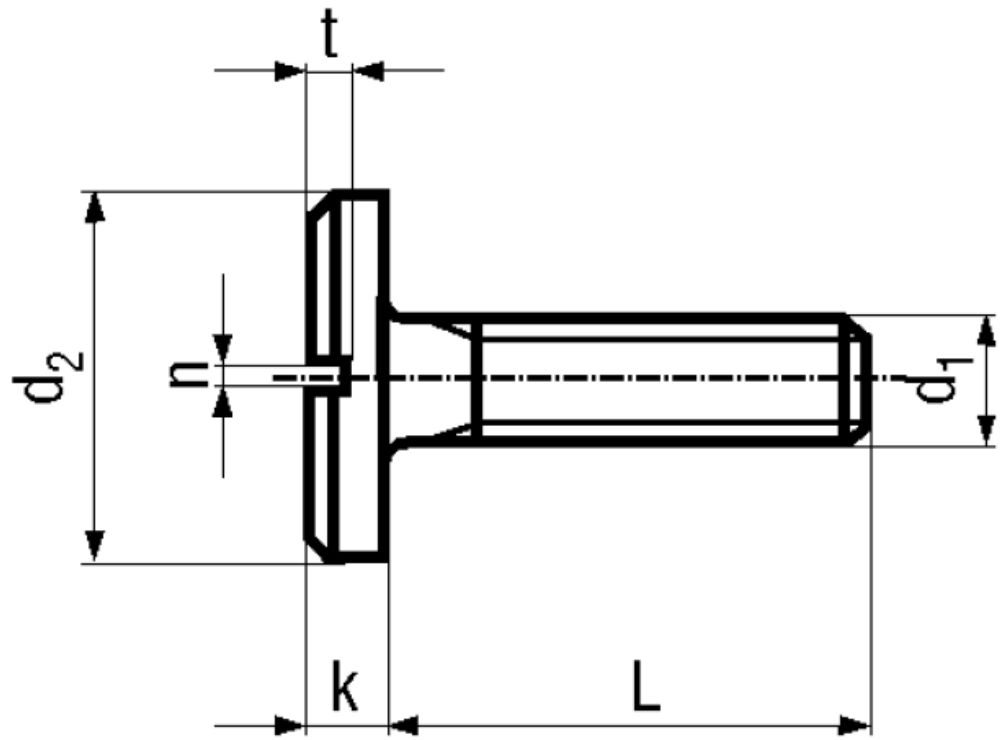


BN 405

Slotted pan head screws with flat head

DIN 921



Material	Steel	Quality	4.8
Surface	zinc plated blue		

Article No. - 1097342

d_1	M3
L	10
d_2	8
t	0,9
k	1,8
n	0,8