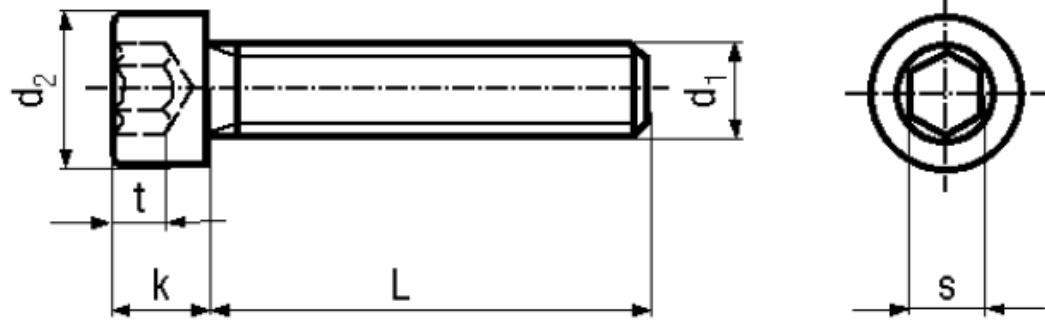


## BN 612

Hexagon socket head cap screws  
fully threaded  
fully threaded

DIN 912  
ISO 4762  
~UNI 5931



Material	<b>Stainless steel</b>	Quality	<b>A4</b>
----------	------------------------	---------	-----------

### Article No. - 1233645

d <sub>1</sub>	M2
L	3
d <sub>2</sub>	3,8
k	2
s	1,5
t min.	1

DIN 912: Standard withdrawn

M1,4: Not included in ISO 4672.

Socket head cap screws low head type acc. DIN 7984 / DIN 6912: BN 2844 / BN 1350.