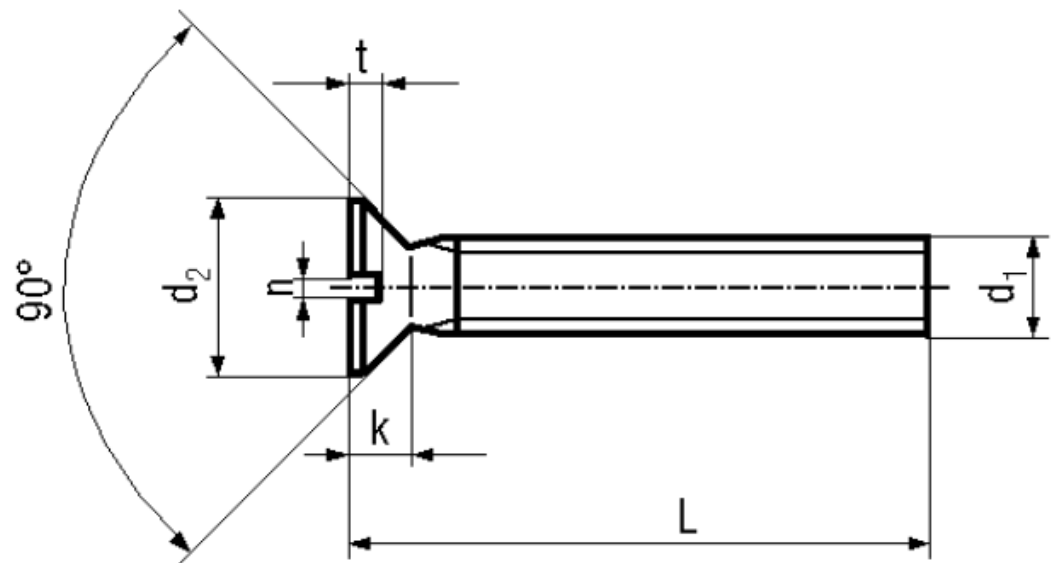


## BN 357

Slotted flat countersunk head screws

DIN 963 A  
~ISO 2009  
~UNI 6109



Material	Steel	Tensile strength	400 N/mm <sup>2</sup>
Surface	zinc plated blue	Elongation after fracture	min. 14%
Quality	4.8		

### Article No. - 1139622

d <sub>1</sub>	M2
L	10
d <sub>2</sub> max.	3,8
k max.	1,2
n	0,5
t min.	0,4

DIN 963 A: Standard withdrawn  
All lengths fully threaded.