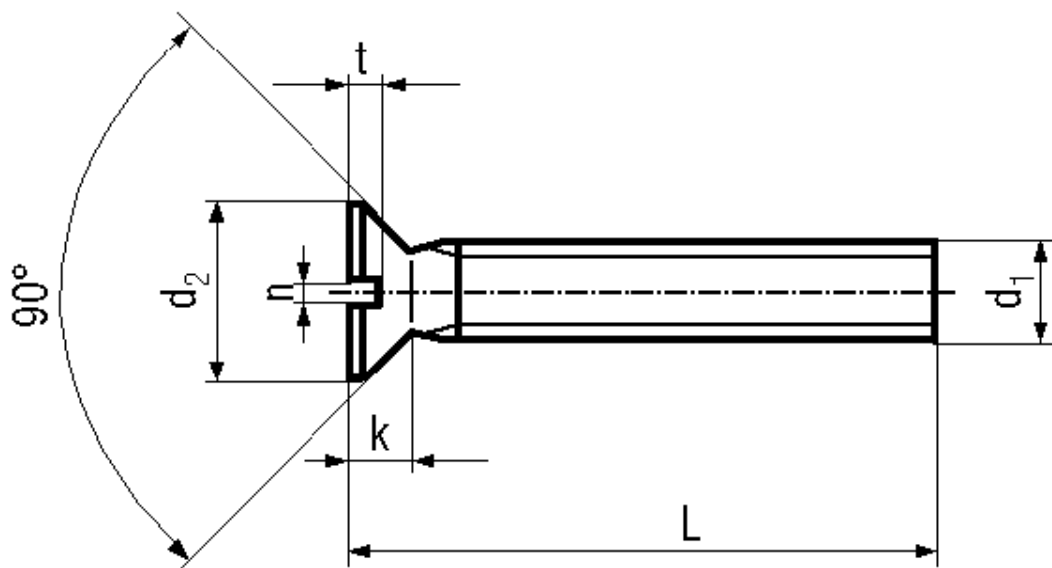


## BN 654

Slotted flat countersunk head screws

DIN 963 A  
 ~ISO 2009  
 ~UNI 6109



Material  Quality

Article No. - 1075373

$d_1$	M2,5
L	5
$d_2$	4,7
k max.	1,5
n	0,6
t min.	0,5

DIN 963: Standard withdrawn

All lengths fully threaded.

Slotted flat countersunk head screws with small head VSM 13328: BN 658