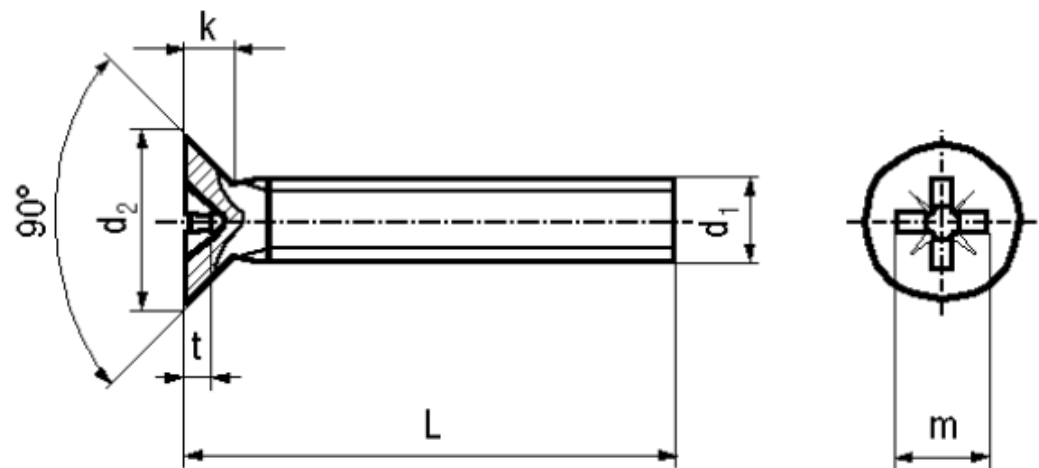


## BN 3310

Cross recessed flat countersunk  
head screws  
Pozidriv Z

DIN 965 A  
~ISO 7046  
~UNI 7688



Material	Stainless steel	Quality	A4
----------	-----------------	---------	----

### Article No. - 1544101

d <sub>1</sub>	M2,5
L	6
d <sub>2</sub>	4,7
k max.	1,5
Pozidriv	1
m~	2,5
t min.	1,22
t max.	1,47

DIN 965: Standard withdrawn

All lengths fully threaded  
Countersink must be designed according to the corresponding standard!

Screwdriver Bits 1/4": BN 31514 and BN 31516 / CG 1.