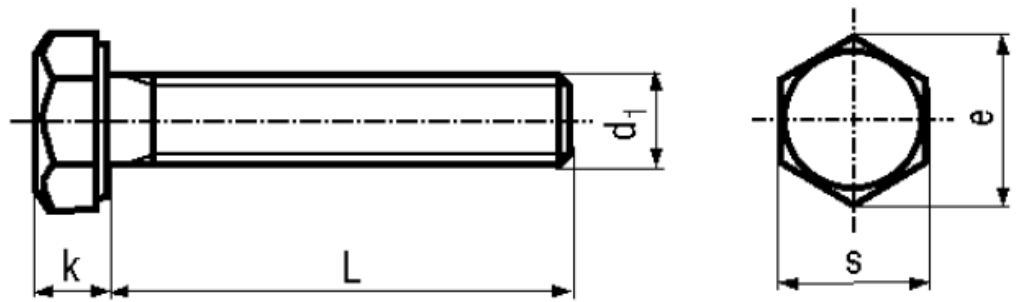


BN 54

Hexagon head screws
fully threaded

DIN 933
ISO 4017
~UNI 5739



Material	Steel	Quality	8.8
Surface	black		

Article No. - 1043811

d ₁	M10
L	25
e	18,9
k	6,4
s	17

DIN 933: standard withdrawn

M10, M12, M14, M22: wrench size according to ISO on request