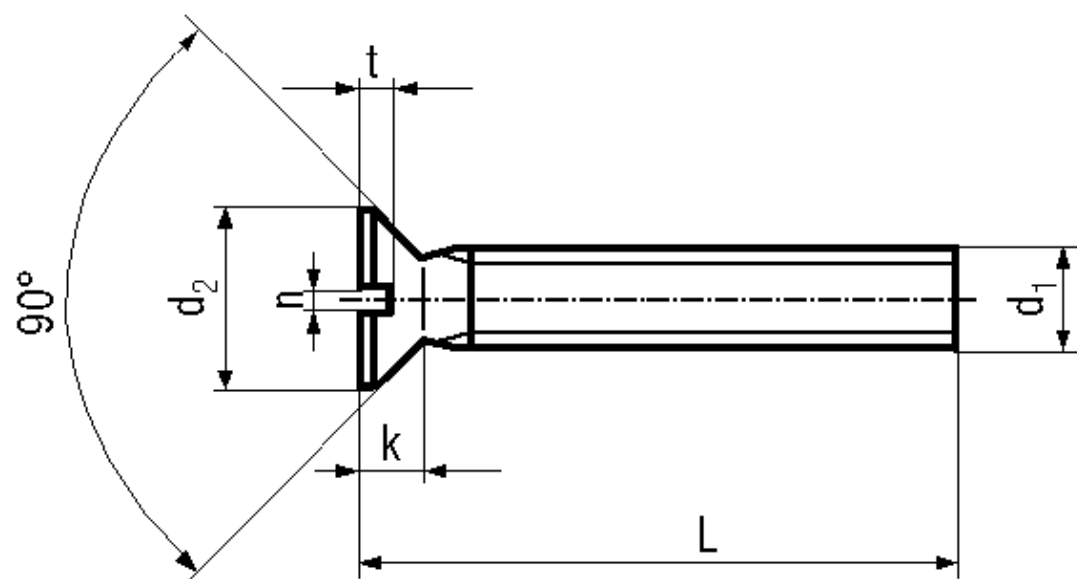


## BN 654

Slotted flat countersunk head screws

DIN 963 A  
~ISO 2009  
~UNI 6109



Material	Stainless steel	Quality	A2
----------	-----------------	---------	----

### Article No. - 1246631

$d_1$	M1,6
L	5
$d_2$	3
k max.	0,96
n	0,4
t min.	0,32

DIN 963: Standard withdrawn

All lengths fully threaded.

Slotted flat countersunk head screws with small head VSM 13328: BN 658