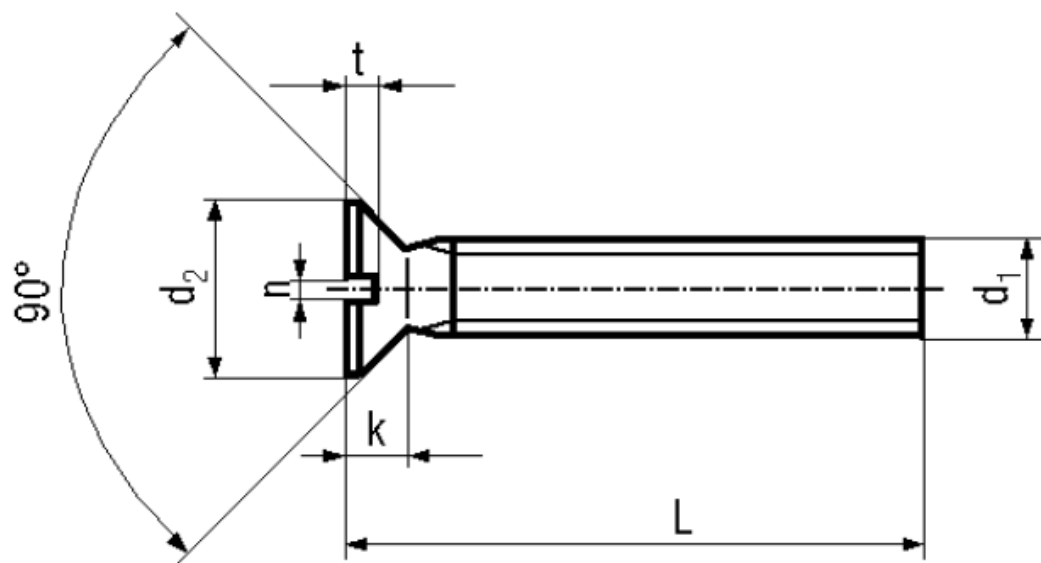


BN 537

Slotted flat countersunk head screws

DIN 963 A
 ~ISO 2009
 ~UNI 6109



Material	Brass	Surface	plain
----------	-------	---------	-------

Article No. - 1160656

d ₁	M1,6
L	8
d ₂	3
k max.	0,96
n	0,4
t min.	0,32

DIN 963: Standard withdrawn