
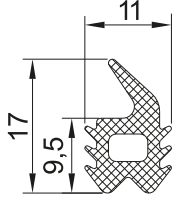

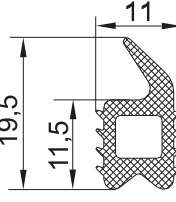

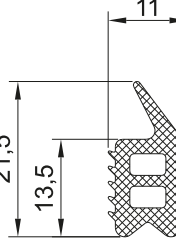

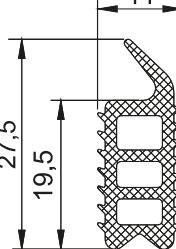


	Design (section of gasket)	Code	Clamping range [mm]	Colour	Material	Sales unit [m]
		UT-7	-	C	PCV	7x20m
		UT-7.1	-	C	PCV	7x20m
		UT-7.2	-	C	PCV	7x20m
		UT-7.3	-	C	PCV	5x20m

C - black, B - white, S - gray, SJ - bright gray, SC - dark gray  
 \* Time of delivery 5-6 weeks

 - EPDM  - PVC