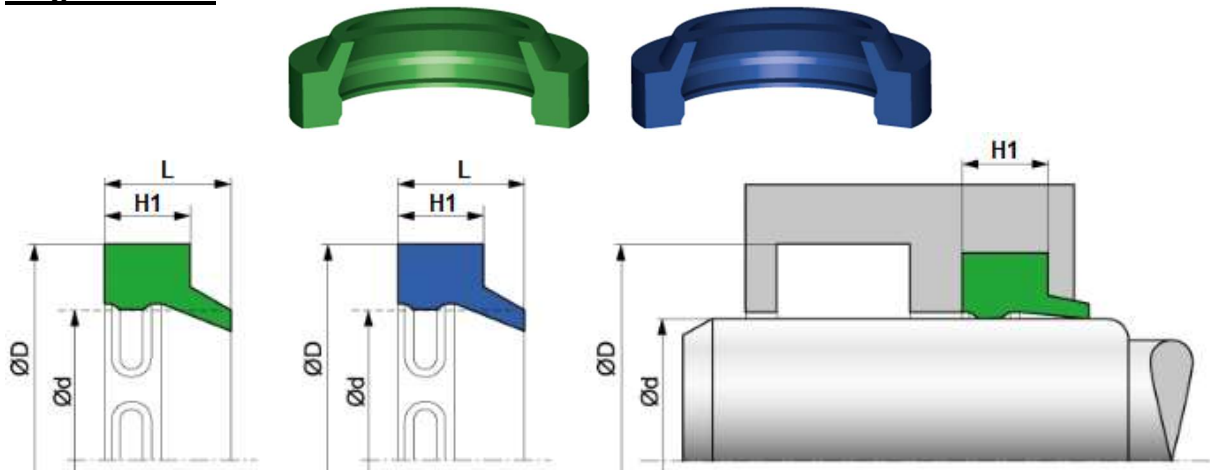




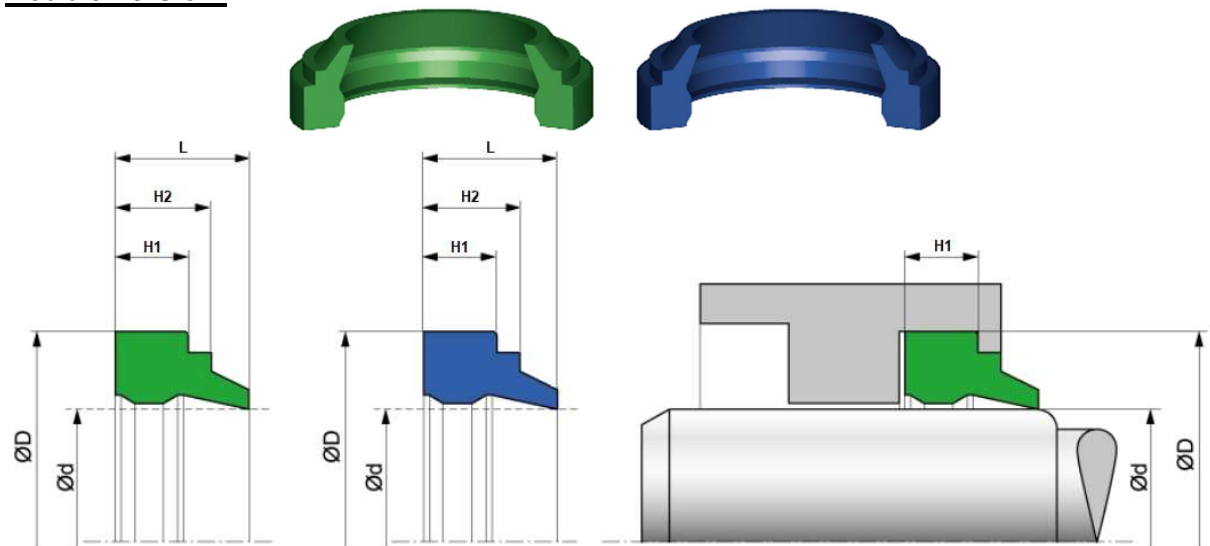
# uszczelnienia techniczne

## Wipers Z

### Single version:



### Double version:



### Description:

Z-type scraper ring for scraping external dirt from reciprocating elements with double seating on the outer diameter. Use in hydraulic drives and control.

### Material:

- NBR (acrylonitrile butadiene rubber),  $-30^{\circ}\text{C} \div +100^{\circ}\text{C}$
- PU (polyurethane),  $-30^{\circ}\text{C} \div +100^{\circ}\text{C}$

### Working speed:

- $\leq 1,0 \text{ m/s}$



# uszczelnienia techniczne

Article	Gasket material	Working temperature	Version	Shore's hardness	Shaft diameter Φd [mm]	Outer diameter ΦD [mm]	Height H1 [mm]	Height H2 [mm]	External height L [mm]
Z6x12x5/7N	NBR	-30...100°C	single	70	6	12	5		7
Z10x16x3/5P	PU	-30...100°C	single	70	10	16	3		5
Z10x16x5/7N	NBR	-30...100°C	single	70	10	16	5		7
Z10x18x4/5/7P	PU	-30...100°C	double	70	10	18	4	5	7
Z10x18x5/7N	NBR	-30...100°C	single	70	10	18	5		7
Z12x18x3/4/6P	PU	-30...100°C	double	70	12	18	3	4	6
Z12x20.7x5/7P	PU	-30...100°C	single	70	12	20,7	5		7
Z12x20x4/5/7P	PU	-30...100°C	double	70	12	20	4	5	7
Z14x22x4/5/7P	PU	-30...100°C	double	70	14	22	4	5	7
Z15x23x4/5/7P	PU	-30...100°C	double	70	15	23	4	5	7
Z16x22x3/5N	NBR	-30...100°C	single	70	16	22	3		5
Z16x24x4/5/7P	PU	-30...100°C	double	70	16	24	4	5	7
Z16x24x5/7N	NBR	-30...100°C	single	70	16	24	5		7
Z16x26x5/7N	NBR	-30...100°C	single	70	16	26	5		7
Z18x24x3/4/5P	PU	-30...100°C	double	70	18	24	3	4	5
Z18x26x4/5/7P	PU	-30...100°C	double	70	18	26	4	5	7
Z18x26.6x5.3/7N	NBR	-30...100°C	single	90	18	26,6	5,3		7
Z20x28x4/5/7P	PU	-30...100°C	double	70	20	28	4	5	7
Z20x28.6x5.3/7P	PU	-30...100°C	single	70	20	28,6	5,3		7
Z20x30x5/7N	NBR	-30...100°C	single	70	20	30	5		7
Z22x30x4/7P	PU	-30...100°C	single	70	22	30	4		7
Z22x30.6x5/7N	NBR	-30...100°C	single	70	22	30,6	5		7
Z22x30.6x5/7P	PU	-30...100°C	single	70	22	30,6	5		7
Z22x32x4/5/7N	NBR	-30...100°C	double	70	22	32	4	5	7
Z22x32x5/7N	NBR	-30...100°C	single	70	22	32	5		7
Z24x32x4/5/7N	NBR	-30...100°C	double	90	24	32	4	5	7
Z24x32.6x5.3/7N	NBR	-30...100°C	single	90	24	32,6	5,3		7
Z25x33x4/5/7N	NBR	-30...100°C	double	70	25	33	4	5	7
Z25x33x5/7P	PU	-30...100°C	single	70	25	33	5		7
Z25x35x4/5/7P	PU	-30...100°C	double	70	25	35	4	5	7
Z25x35x5/7N	NBR	-30...100°C	single	70	25	35	5		7
Z28x36x4/7P	PU	-30...100°C	single	70	28	36	4		7
Z28x36x5/7N	NBR	-30...100°C	single	70	28	36	5		7
Z28x36x5/7P	PU	-30...100°C	single	70	28	36	5		7
Z28.5x38.6x5/7N	NBR	-30...100°C	single	88	28,5	38,6	5		7
Z30x38x5/7N	NBR	-30...100°C	single	70	30	38	5		7
Z30x40x4/5/7N	NBR	-30...100°C	double	70	30	40	4	5	7
Z30x45x4/5/7P	PU	-30...100°C	double	90	30	45	4	5	7
Z30x45x5.3/8P	PU	-30...100°C	single	90	30	45	5,3		8
Z32x40x4/5/7P	PU	-30...100°C	double	70	32	40	4	5	7
Z32x40.6x5.3/7P	PU	-30...100°C	single	70	32	40,6	5,3		7
Z32x45x5/7P	PU	-30...100°C	single	70	32	45	5		7
Z33x42x5.3/7P	PU	-30...100°C	single	92	33	42	5,3		7
Z35x43x4/5/7P	PU	-30...100°C	double	70	35	43	4	5	7
Z35x43x5/7N	NBR	-30...100°C	single	70	35	43	5		7
Z35x43.6x5.3/7P	PU	-30...100°C	single	70	35	43,6	5,3		7
Z35x45x4/5/7P	PU	-30...100°C	double	70	35	45	4	5	7
Z35x45x5/7N	NBR	-30...100°C	single	70	35	45	5		7
Z36x44x4/7P	PU	-30...100°C	single	70	36	44	4		7
Z36x44x5/7N	NBR	-30...100°C	single	70	36	44	5		7
Z36x44.6x5.3/7P	PU	-30...100°C	single	70	36	44,6	5,3		7
Z38x46x4/5/7P	PU	-30...100°C	double	70	38	46	4	5	7
Z38x46.6x5.3/7N	NBR	-30...100°C	single	70	38	46,6	5,3		7
Z40x48x4/5/7P	PU	-30...100°C	double	70	40	48	4	5	7
Z40x48x5/7N	NBR	-30...100°C	single	70	40	48	5		7
Z40x48.6x5.3/7P	PU	-30...100°C	single	70	40	48,6	5,3		7
Z40x50x4/5/7P	PU	-30...100°C	double	70	40	50	4	5	7
Z40x50.6x5.3/7P	PU	-30...100°C	single	70	40	50,6	5,3		7
Z40x52x5/8P	PU	-30...100°C	single	70	40	52	5		8
Z42x50.6x5.3/7N	NBR	-30...100°C	single	70	42	50,6	5,3		7
Z45x53.6x5.3/7P	PU	-30...100°C	single	70	45	53,6	5,3		7
Z45x55.6x5.3/7P	PU	-30...100°C	single	70	45	55,6	5,3		7
Z48x56x4/5/7N	NBR	-30...100°C	double	70	48	56	4	5	7
Z48x58x5/7P	PU	-30...100°C	single	70	48	58	5		7
Z50x58x4/5/7P	PU	-30...100°C	double	70	50	58	4	5	7
Z50x60.6x5.3/7P	PU	-30...100°C	single	70	50	60,6	5,3		7



# uszczelnienia techniczne

Article	Gasket material	Working temperature	Version	Shore's hardness	Shaft diameter $\Phi d$ [mm]	Outer diameter $\Phi D$ [mm]	Height H1 [mm]	Height H2 [mm]	External height L [mm]
Z54x62x4/5/7N	NBR	-30...100°C	double	70	54	62	4	5	7
Z55x63x4/5/7P	PU	-30...100°C	double	70	55	63	4	5	7
Z55x63.6x5.3/7P	PU	-30...100°C	single	70	55	63,6	5,3		7
Z55x65.6x5.3/7P	PU	-30...100°C	single	70	55	65,6	5,3		7
Z56x63x5/7N	NBR	-30...100°C	single	70	56	63	5		7
Z56x64x4/5/7P	PU	-30...100°C	double	70	56	64	4	5	7
Z56x64.6x5/7P	PU	-30...100°C	single	70	56	64,6	5		7
Z56x66.6x5/7P	PU	-30...100°C	single	70	56	66,6	5		7
Z60x68.6x5/7P	PU	-30...100°C	single	70	60	68,6	5		7
Z60x70x5/7P	PU	-30...100°C	single	70	60	70	5		7
Z60x70.3x7/10N	NBR	-30...100°C	single	70	60	70,3	7		10
Z62x70x4/5/7P	PU	-30...100°C	double	70	62	70	4	5	7
Z63x71x4/5/7N	NBR	-30...100°C	double	70	63	71	4	5	7
Z63x71.6x5/7P	PU	-30...100°C	single	70	63	71,6	5		7
Z63x73x5/7P	PU	-30...100°C	single	70	63	73	5		7
Z63x75x7/10N	NBR	-30...100°C	single	90	63	75	7		10
Z63x77x5/7N	NBR	-30...100°C	single	70	63	77	5		7
Z63.3x76.1x6.3/9N	NBR	-30...100°C	single	90	63,3	76,1	6,3		9
Z65x73x4/5/7P	PU	-30...100°C	double	90	65	73	4	5	7
Z65x73.6x5/7P	PU	-30...100°C	single	70	65	73,6	5		7
Z65x75.6x5/7P	PU	-30...100°C	single	70	65	75,6	5		7
Z68x76x4/5/7N	NBR	-30...100°C	double	70	68	76	4	5	7
Z69.80x78x7/10N	NBR	-30...100°C	single	70	69,8	78	7		10
Z70x78x4/5/7N	NBR	-30...100°C	double	90	70	78	4	5	7
Z70x78.6x5/7P	PU	-30...100°C	single	70	70	78,6	5		7
Z70x80x5/7P	PU	-30...100°C	single	70	70	80	5		7
Z70x80.6x5.3/7P	PU	-30...100°C	single	70	70	80,6	5,3		7
Z70x85x7/10N	NBR	-30...100°C	single	88	70	85	7		10
Z75x83x4/5/7P	PU	-30...100°C	double	70	75	83	4	5	7
Z75x83.2x5/7P	PU	-30...100°C	single	70	75	83,2	5		7
Z75x85.6x5/7P	PU	-30...100°C	single	70	75	85,6	5		7
Z75x88.6x7/10N	NBR	-30...100°C	single	70	75	88,6	7		10
Z80x88x4/5/7P	PU	-30...100°C	double	70	80	88	4	5	7
Z80x88.6x5/7P	PU	-30...100°C	single	70	80	88,6	5		7
Z80x92.2x7/12P	PU	-30...100°C	single	70	80	92,2	7		12
Z85x93.6x5/7N	NBR	-30...100°C	single	70	85	93,6	5		7
Z85x95x5/7N	NBR	-30...100°C	single	70	85	95	5		7
Z90x98x5/7N	NBR	-30...100°C	single	70	90	98	5		7
Z90x100x5/7N	NBR	-30...100°C	single	70	90	100	5		7
Z90x102x7/10N	NBR	-30...100°C	single	88	90	102	7		10
Z91.8x100x7/10N	NBR	-30...100°C	single	70	91,8	100	7		10
Z92x102x7/10N	NBR	-30...100°C	single	88	92	102	7		10
Z95x105x7/10N	NBR	-30...100°C	single	90	95	105	7		10
Z100x110x7/10N	NBR	-30...100°C	single	70	100	110	7		10
Z100x112.2x7/12P	PU	-30...100°C	single	70	100	112,2	7		12
Z100x112x7/10N	NBR	-30...100°C	single	88	100	112	7		10
Z105x113x5/7P	PU	-30...100°C	single	70	105	113	5		7
Z107x115x5/7N	NBR	-30...100°C	single	70	107	115	5		7
Z110x122x7/10N	NBR	-30...100°C	single	70	110	122	7		10
Z110x122.2x7/12P	PU	-30...100°C	single	92	110	122,2	7		12
Z110x125x7/10N	NBR	-30...100°C	single	88	110	125	7		10
Z120x128.6x5/7N	NBR	-30...100°C	single	88	120	128,6	5		7
Z120x130x5/7P	PU	-30...100°C	single	92	120	130	5		7
Z120x132.2x7.2/12N	NBR	-30...100°C	single	70	120	132,2	7,2		12
Z130x142x5.5/7/10N	NBR	-30...100°C	double	70	130	142	5,5	7	10
Z135x147x7/12P	PU	-30...100°C	single	70	135	147	7		12
Z135.8x144x7/10N	NBR	-30...100°C	single	88	135,8	144	7		10
Z136x146x7/10N	NBR	-30...100°C	single	88	136	146	7		10
Z140x148.6x5/7N	NBR	-30...100°C	single	70	140	148,6	5		7
Z140x152x7/10N	NBR	-30...100°C	single	70	140	152	7		10
Z145x153x5/7N	NBR	-30...100°C	single	70	145	153	5		7
Z145x153.6x5/7P	PU	-30...100°C	single	70	145	153,6	5		7