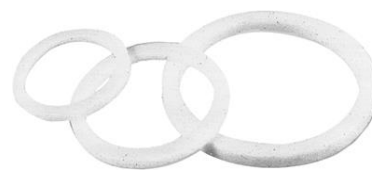




| | |
|------------------------------|---------------------------|
| DATA SHEET | 53801035 |
| SKINDICHT® JT PTFE PG | valid from : 15.1.2016 |

The SKINDICHT® JT PTFE PG sealing ring used for reliable sealing against oil, dust and water on the connecting thread of a gland or similar components. There is an extraordinary resistance against oil, water, acid, solvents and chemicals. Moreover this sealing ring is physiologically harmless and can be used in foodstuffs sector.



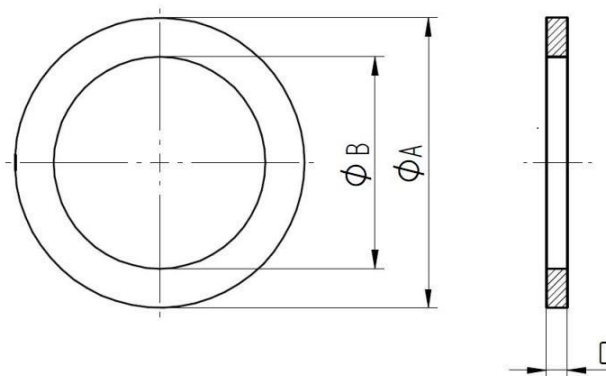
Technical features:

| | |
|-------------------|-----------------------|
| Material | PTFE |
| Sizes | PG7 up to PG48 |
| Colour | White |
| Temperature range | -200 °C up to +260 °C |

Norm references:



For more information please see our current catalogue.



| Article designation | Ø A [mm] | Ø B [mm] | C [mm] | Article No. |
|---------------------|----------|----------|--------|-------------|
| JT 7 | 16,5 | 12,5 | 2 | 53801035 |
| JT 9 | 19 | 15,2 | 2 | 53801045 |
| JT 11 | 22,5 | 18,6 | 2 | 53801055 |
| JT 13,5 | 25 | 20,4 | 2 | 53801065 |
| JT 16 | 27 | 22,5 | 2 | 53801075 |
| JT 21 | 33,5 | 28,3 | 3 | 53801085 |
| JT 29 | 43,5 | 37 | 3 | 53801095 |
| JT 36 | 55 | 47 | 3 | 53801105 |
| JT 42 | 63 | 54 | 3 | 53801115 |
| JT 48 | 69 | 59,3 | 3 | 53801125 |

| | | |
|------------------------------------|---------------------------|-------------|
| elaborated by: PDP: T. Dvoulety | Document: DB53801035_2_EN | page 1 of 1 |
|------------------------------------|---------------------------|-------------|