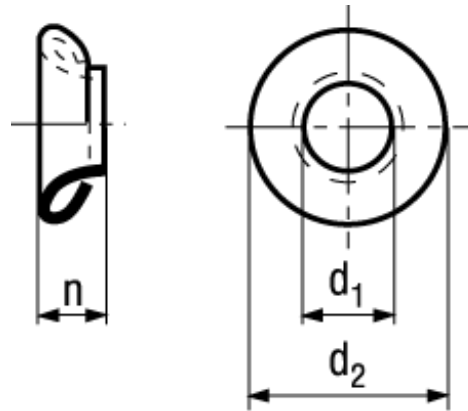




Nyltite®



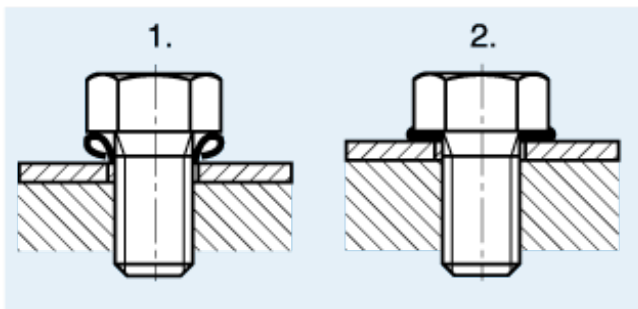
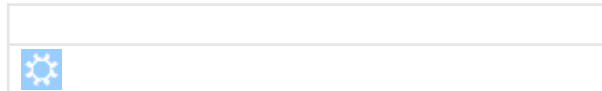
BN 1217

Locking and sealing rings


Polyamide

white

- Operating temperature range: -56 °C to +120 °C



- 1. Before tightening
- 2. After tightening

Article#		d ₁ ~	d ₂ ~	n~
1420615	M3	3	5,1	2,3
1420623	M4	4	6,6	3
1420631	M5	5	7,7	3
1420658	M6	6	9	3,3
1420666	M8	8	11	3,5
1420674	M10	10	13,5	4,2