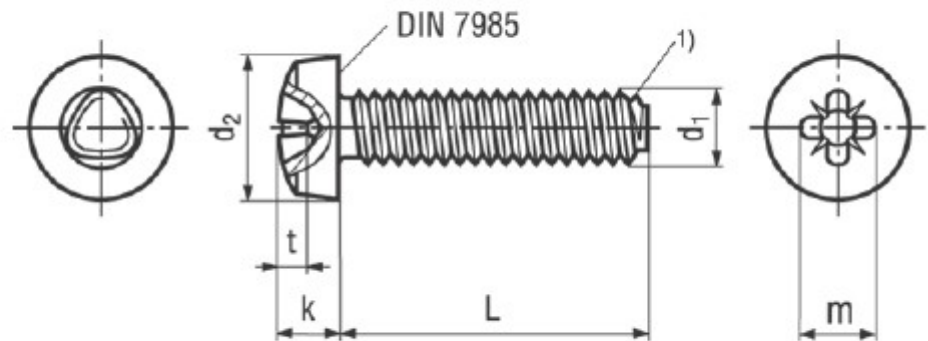


BN 2724 - DIN 7500 C

Cross recessed pan head thread forming screws type C, Pozidriv Z, metric thread case-hardened

DIN 7500 C
~UNI 8112



Material	Steel	Hardness	450-550 HV
Surface	zinc plated blue		

Article No. - 1473913		
d_1		M6
L		12
d_2 max.		12
k max.		4,75
Pozidriv		3
m~		6,7
t min.		3,02
t max.		3,48

Tapered thread end max. 4P

Screwdriver Bits 1/4": BN 31514 and BN 31516 / CG 1

Fasteners steel case-hardened with electroplated coatings: Susceptible to hydrogen embrittlement!