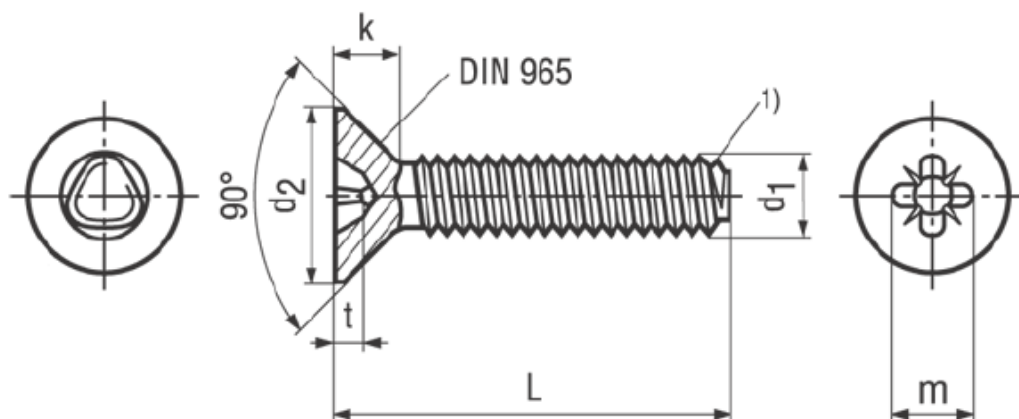


BN 3327 - DIN 7500 M

Cross recessed flat countersunk head thread forming screws
type M, Pozidriv Z, metric thread
case-hardened

DIN 7500 M
~UNI 8113



Material	Steel	Hardness	450-550 HV
Surface	zinc plated blue		

Article No. - 1540750

d ₁	M5
L	16
d ₂ max.	9,2
k max.	2,5
Pozidriv	2
m~	4,4
t min.	2,05
t max.	2,51

Tapered thread end max. 4 P

Screwdriver Bits 1/4": BN 31514 and BN 31516 / CG 1

Fasteners steel case-hardened ≥ 320 HV with electroplated coatings: Susceptible to hydrogen embrittlement!