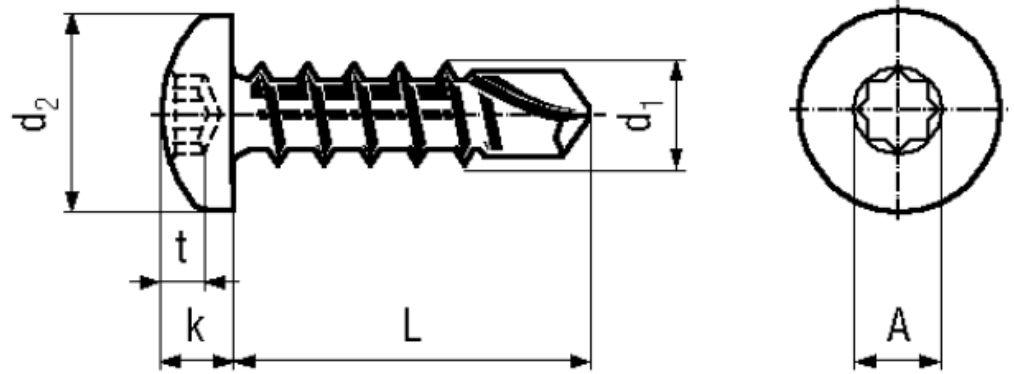


BN 11904 - DIN 7504

Octagon socket pan head self-drilling screws
 ~type N
 case-hardened

DIN 7504



Trade mark	eco-drill™	Surface	zinc plated blue
Material	Steel	Hardness	560 HV

Article No. - 3060688

d_1	ST 4,2
L	19
d_2 max.	8,2
k max.	3,45
Internal octagon	2
t max.	2,25
A~	4,5

DIN 7504: Standard withdrawn

Shaped drilling head.

.....