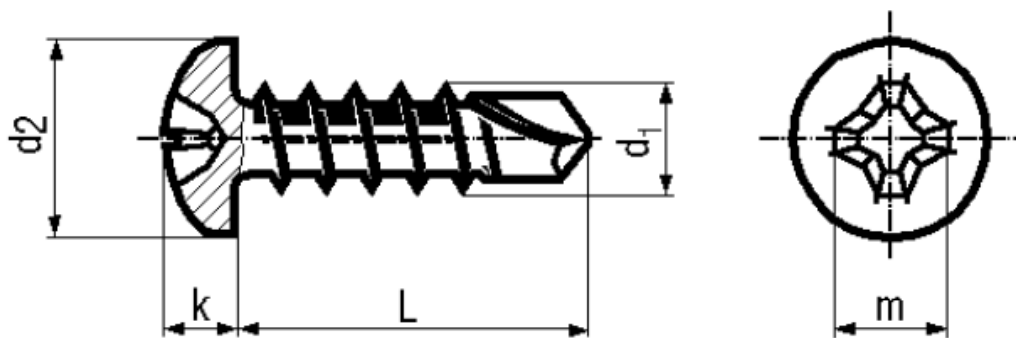


BN 1878 - DIN 7504 N - ~ISO 15481

Cross recessed pan head self-drilling screws
Phillips H, type N
case-hardened

DIN 7504 N
~ISO 15481
~UNI 8118



Trade mark	eco-drill™	Surface	zinc plated blue
Material	Steel	Hardness	560 HV

Article No. - 1394495

d ₁	ST 4,2
L	13
d ₂	8,2
k max.	3,05
Phillips	2
m~	4,6

DIN 7504: Standard withdrawn

Shaped drilling head.

Screwdriver Bits 1/4": BN 31515 and BN 10639 / CG 1.

Fasteners steel case-hardened ≥ 320 HV with electroplated coatings: Susceptible to hydrogen embrittlement!