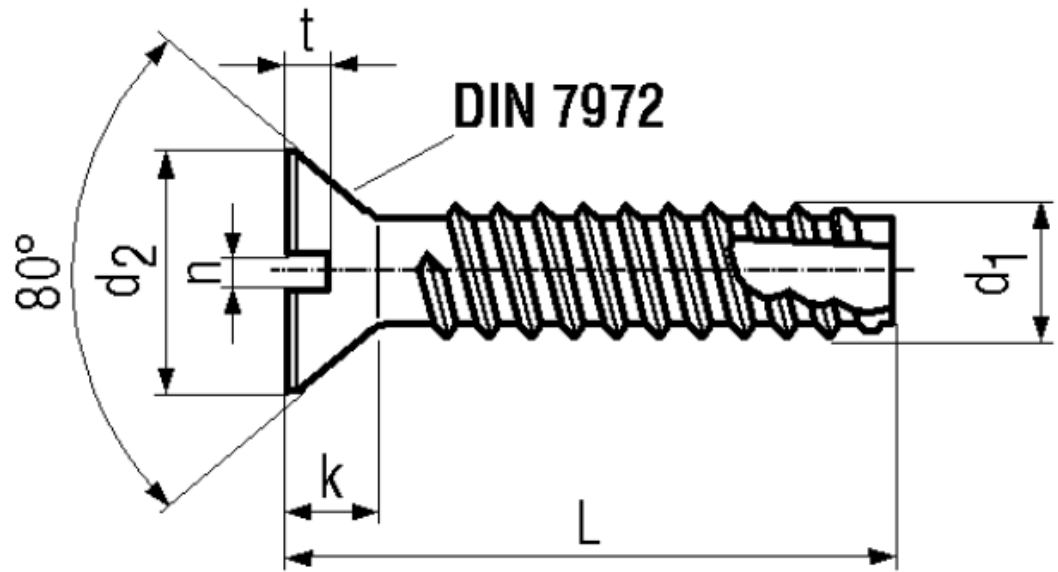


BN 1015

Slotted flat countersunk head thread cutting screws with tapping screw thread type 1 case-hardened



Material	Steel	Hardness	450 HV
Surface	zinc plated blue		

Article No. - 1381393

d ₁	ST 3,5
L	13
d ₂ max.	6,8
k~	2,1
n	1
t min.	0,6
Hole-ø	3

Hole-Ø: Approximate data; the final hole diameters should be determined by performance tests.

Countersink must be designed according to the corresponding standard!

Fasteners steel case-hardened ≥ 320 HV with electroplated coatings: Susceptible to hydrogen embrittlement!