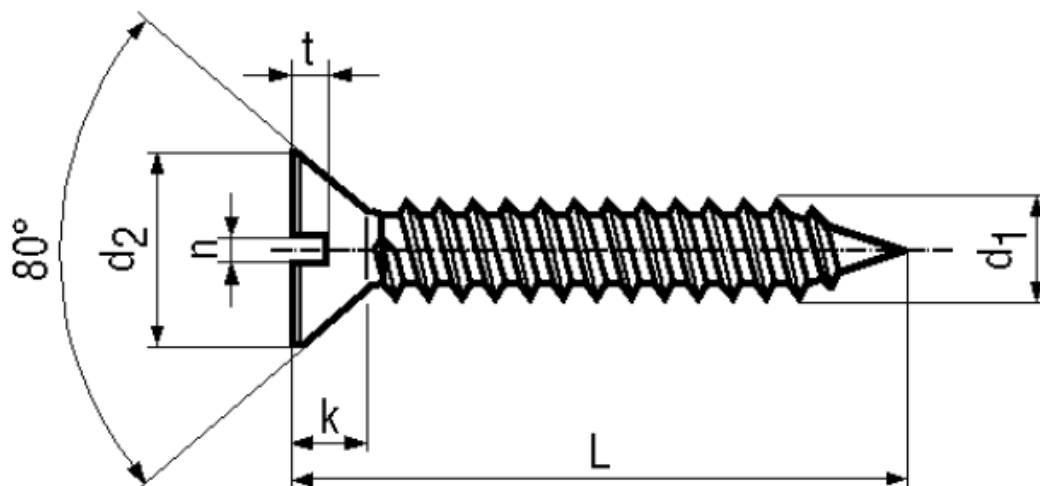


## BN 990 - DIN 7972 C - ~ISO 1482

Slotted flat countersunk head tapping screws  
with cone end type C  
case-hardened

DIN 7972 C  
~ISO 1482  
~UNI 6952AB



Material	Steel	Hardness	450 HV
Surface	zinc plated blue		

### Article No. - 1373102

$d_1$	ST 2,9
L	25
$d_2$ max.	5,5
k~	1,7
n	0,8
t min.	0,5

DIN 7972: Standard withdrawn

Countersinking according to the standards

Fasteners steel case-hardened  $\geq 320$  HV with electroplated coatings: Susceptible to hydrogen embrittlement!