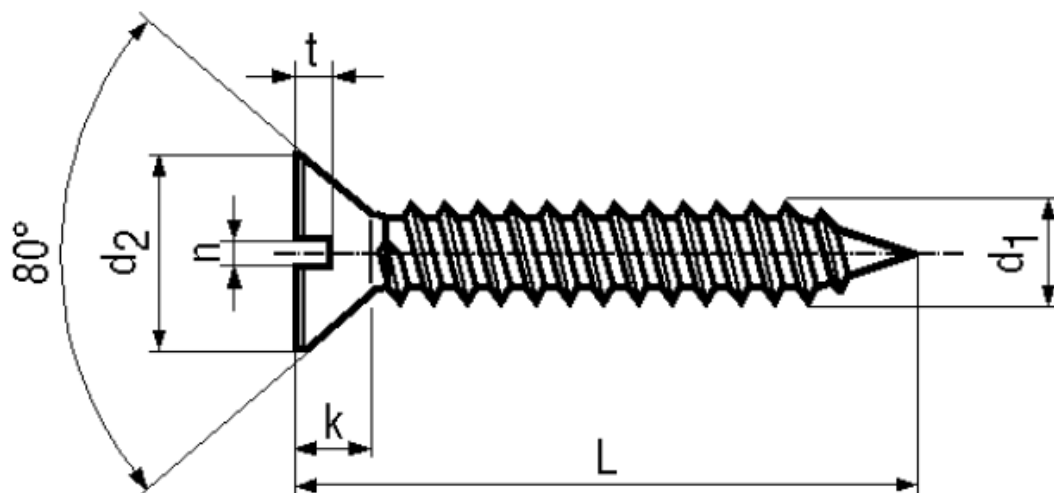


BN 693 - DIN 7972 C - ~ISO 1482

Slotted flat countersunk head tapping screws
with cone end type C

DIN 7972 C
~ISO 1482
~UNI 6952 AB



Material **Stainless steel** Quality **A2**

Article No. - 1260510

d ₁	ST2,9
L	16
d ₂ max.	5,5
k~	1,7
n	0,8
t min.	0,5

DIN 7972: Standard withdrawn

Countersink must be designed according to the corresponding standard!