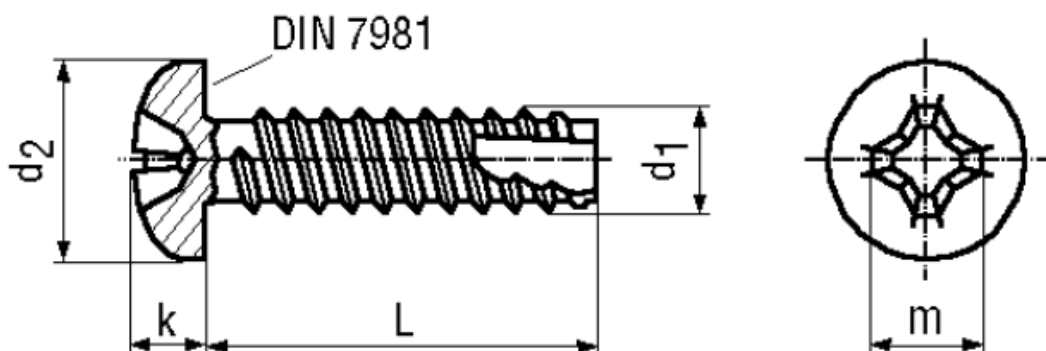


## BN 1016

Cross recessed pan head thread cutting screws  
Phillips H, with tapping screw thread type 1  
case-hardened



Material	Steel	Hardness	450 HV
Surface	zinc plated blue		

### Article No. - 1024442

$d_1$	ST 2,2
L	6,5
$d_2$ max.	4,2
k max.	1,8
Phillips	1
m~	2,6
Hole- $\emptyset$	1,8

Hole- $\emptyset$ : Approximate data; the final hole diameters should be determined by performance tests.

Screwdriver Bits 1/4": BN 31515 and BN 10639 / CG 1.

Fasteners steel case-hardened  $\geq 320$  HV with electroplated coatings: Susceptible to hydrogen embrittlement!