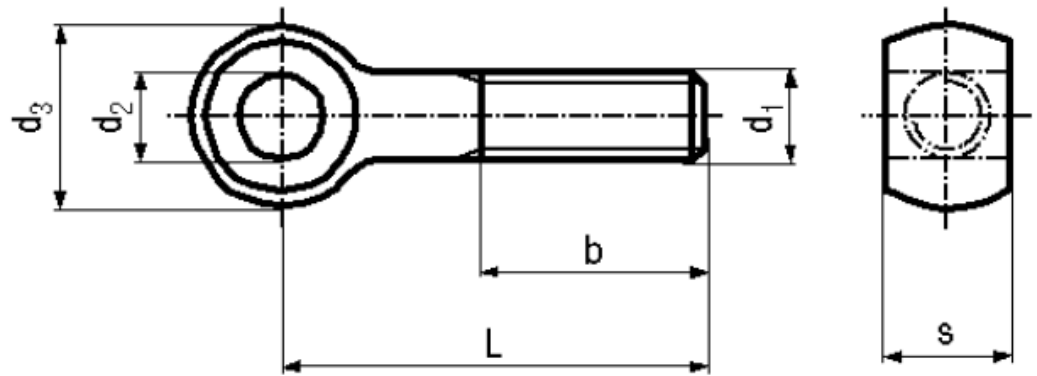


BN 1940

Eye bolts
Form B

DIN 444 B
~UNI 6058



Material	Steel	Tensile strength	400 N/mm ²
Surface	zinc plated blue	Elongation after fracture	min. 22%
Quality	4.6		

Article No. - 1111035

d ₁	M10
L	80
b	26
d ₂	10
d ₃ max.	20
s max.	12
Proof load (N)	13000